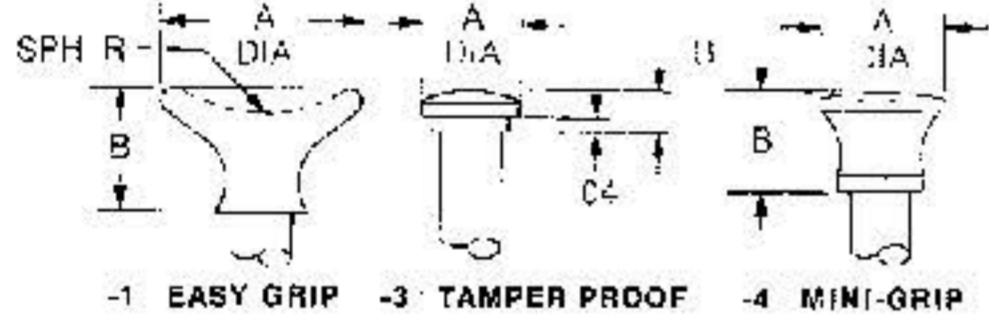


GROMMET		SHEET CAPACITY					PLUNGER			
MODEL NO	DASH NO.	T MAX.	MIN. G	MAX. G	H MAX	L MAX.	W DIA.	MODEL NO	DASH NO.	
HN5G (5/16 Dia)	-51	042	069	148	095	371	420	HN5P (5/16 Dia)	-52	
	-52	065	084	173	080	387	420		-52	
	-53	098	118	207	080	429	420		-53	
	-54	162	182	271	090	494	420		-54	
	-55	210	230	319	080	542	420		-55	
HN4G (1/4 Dia)	-41	042	059	148	079	371	336	HN4P (1/4 Dia)	-42†	
	-42	065	084	173	064	386	336		-42†	
	-43	098	118	207	064	430	336		-43	
	-44	162	182	271	064	494	336		-44	
HN3G (3/16 Dia)	31	042	056	153	065	330	255	HN3P (3/16 Dia)	-32	
	-32	065	079	176	050	346	255		-32	
	33	098	112	209	050	390	255		-33†	
	-34	138	152	249	050	430	255		-34	

† 8 head style available as indicated

STANDARD PLUNGER HEAD STYLES:



PLUNGER HEAD DIM'S	HN5P			HN4P			HN3P		
	-1	-3	-4	-1	-3	-4	-1	-3	-4
A	.63	.30	.38	*	.28	.32	*	.26	.25
B	.38	.17	.30	*	.10	.26	*	.10	.26

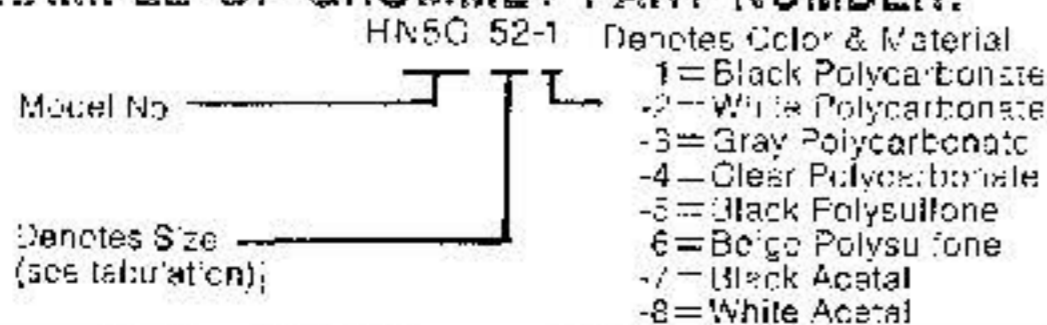
*not yet available

APPLICATION DATA (ALL MODELS OPERATED TO 30,000 CYCLES WITHOUT FAILURE)

MODEL NO.	ULT TEN LOAD	ULT SINGLE SHEAR	FORCE PULL PLUNGER FROM GROMMET	OPERABLE HOLE MISALIGNMENT	WGT GROMMET LB/100	WGT PLUNGER LB/100	HEAT RESISTANCE °F	HOLE DIA. REMOVABLE SHEET	HOLE DIA. FIXED SHEET	*RESTRICTIONS ON HEAD STYLE AVAILABILITY
HN5	60 Lbs	150 Lbs	50 Lbs	± 0.020	110	180	240 * 325 *	(.299) (.294)	(.323) (.316)	-NSP-55 available in Easy-Grip only
HN4	40	75	50	± 0.019	057	081	240 * 325 *	(.242) (.236)	(.254) (.250)	
HN3	30	45	25	± 0.007	026	042	240 * 325 *	(.183) (.180)	(.192) (.189)	

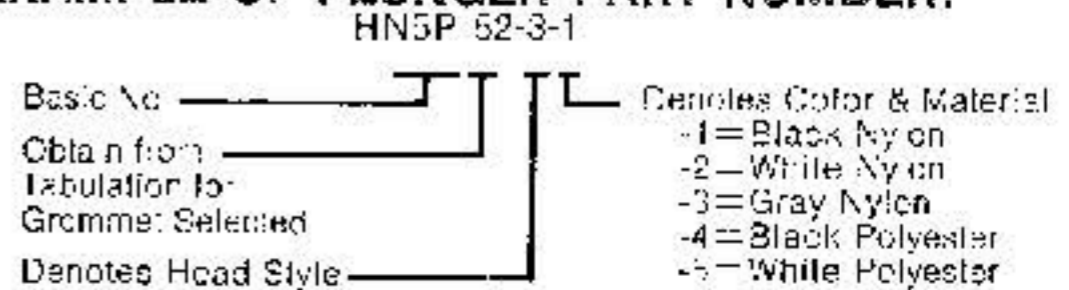
*ACCEPTED OR POLYCARBONATE FOR 240°/POLYSULFONE FOR 325° POLYCARBONATE OR POLYSULFONE FOR IMPACT RESISTANCE

EXAMPLE OF GROMMET PART NUMBER:



- 1=Black Polycarbonate
- 2=White Polycarbonate
- 3=Gray Polycarbonate
- 4=Clear Polycarbonate
- 5=Black Polysulfone
- 6=Beige Polysulfone
- 7=Black Acetal
- 8=White Acetal

EXAMPLE OF PLUNGER PART NUMBER:



- 1=Black Nylon
- 2=White Nylon
- 3=Gray Nylon
- 4=Black Polyester
- 5=White Polyester