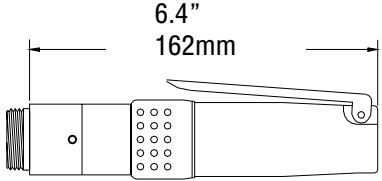
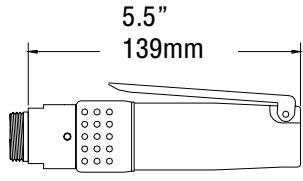
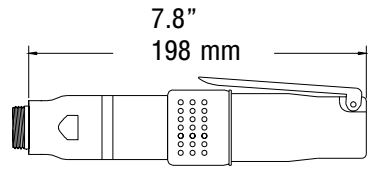
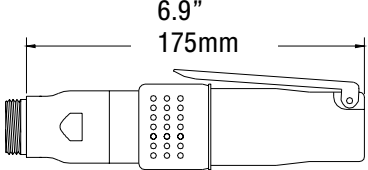
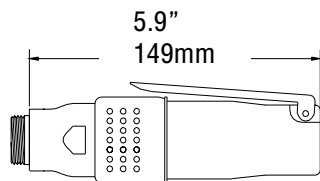




# JIFFY MODULAR DRILL STRAIGHT MOTORS

SD SERIES .3 HP MOTOR	
RPM	ORDER NUMBER
250	15420S
500	14812S
750	14974S
1000	14975S
1500	14976S
	
RPM	ORDER NUMBER
2800	14811S
	

SD2 SERIES .6 HP MOTOR	
RPM	ORDER NUMBER
250	10448S
	
RPM	ORDER NUMBER
450	10449S
1000	10451S
	
RPM	ORDER NUMBER
2000	10452S
2700	10453S
3500	14239S
	

ADD A "K" TO THE END OF THE ORDER NUMBER FOR D AND D2 MOTORS TO WORK WITH 4 GEAR ATTACHMENTS