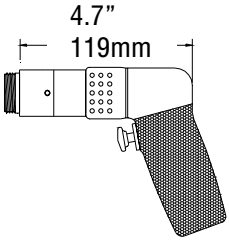
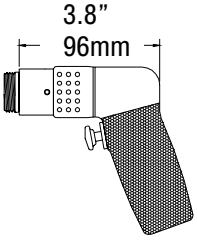
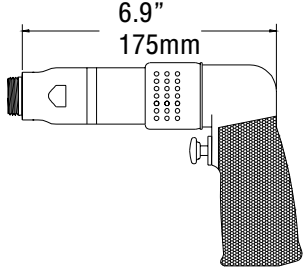
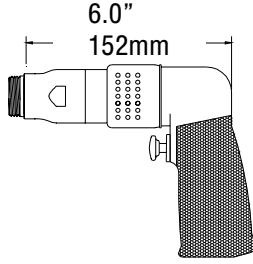
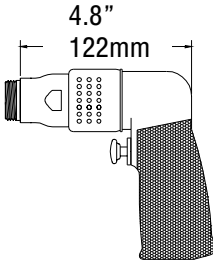


# JIFFY MODULAR DRILL OFFSET MOTORS



D SERIES .3 HP MOTOR	
RPM	ORDER NUMBER
250	15420
500	14812
750	14974
1000	14975
1500	14976
	
RPM	ORDER NUMBER
2800	14811
	

D2 SERIES .6 HP MOTOR	
RPM	ORDER NUMBER
250	10448
	
RPM	ORDER NUMBER
450	10449
1000	10451
	
RPM	ORDER NUMBER
2000	10452
2700	10453
3500	14239
	

ADD A "K" TO THE END OF THE ORDER NUMBER FOR  
D AND D2 MOTORS TO WORK WITH 4 GEAR ATTACHMENTS