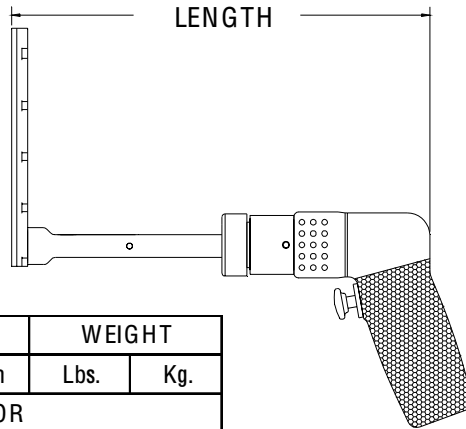
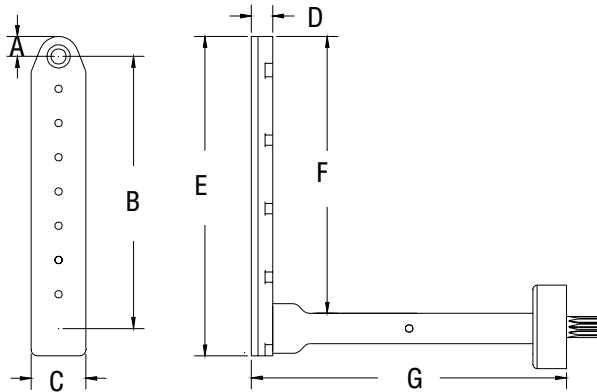


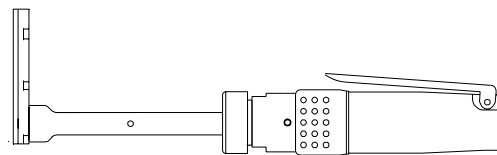
	A	B	C	D	E	F	G	SERIES 2 L DRILL	
INCH	.327	4.484	.900	.350	5.252	4.552	6.188	MAXIMUM RECOMMENDED DRILL DIAMETER	.250 INCH
MM	8.30	113.8	22.86	8.89	133.4	115.6	157.1		6.35 mm



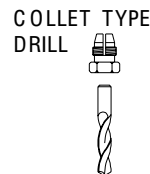
13826 ATTACHMENT ONLY EXTENDED



TOOL ORDER NUMBER	R.P.M.	LENGTH		WEIGHT	
		Inch	mm	Lbs.	Kg.
D SERIES .30 HP MOTOR					
16368	250	11.0	279.4	2.12	0.96
14558	500	11.0	279.4	2.12	0.96
14559	750	11.0	279.4	2.12	0.96
14560	1000	11.0	279.4	2.12	0.96
14561	1500	11.0	279.4	2.12	0.96
14562	2800	10.1	256.5	1.84	0.83
D2 SERIES .60 HP MOTOR					
16369	250	12.95	328.9	3.69	1.67
14563	450	12.35	313.6	2.99	1.35
14564	1000	12.35	313.6	2.99	1.35
14565	2000	11.10	281.9	2.74	1.24
14566	2700	11.10	281.9	2.74	1.24
14567	3500	11.10	281.9	2.74	1.24
RD2 .40 HP REVERSIBLE MOTOR					
16370	250	12.95	328.9	3.69	1.67
14568	450	12.35	313.6	3.24	1.46
14569	1000	12.35	313.6	3.24	1.46
14570	2000	11.10	281.9	2.99	1.35
14571	2700	11.10	281.9	2.99	1.35
14572	3500	11.10	281.9	2.99	1.35



Add an S after the tool order number for the straight handle option.



INTERNAL THREAD	
ADD TO TOOL No.	
1/4-28	A
10-32	C
9/32-40	E
5/16-24	F
COLLET	D

PHONE: 1 775 883 1072 FAX: 1 775 883 4857