

HS7

HS7 Series Hydraulic Tool

Specifications

Weight: 2.52 kg (5.56 lbs)

Stroke: 20.6 mm (0.81")

Max operating Hydraulic Pressures:

Pull- 530 bar (7685 psi)

Return- 221 bar (3200 psi)

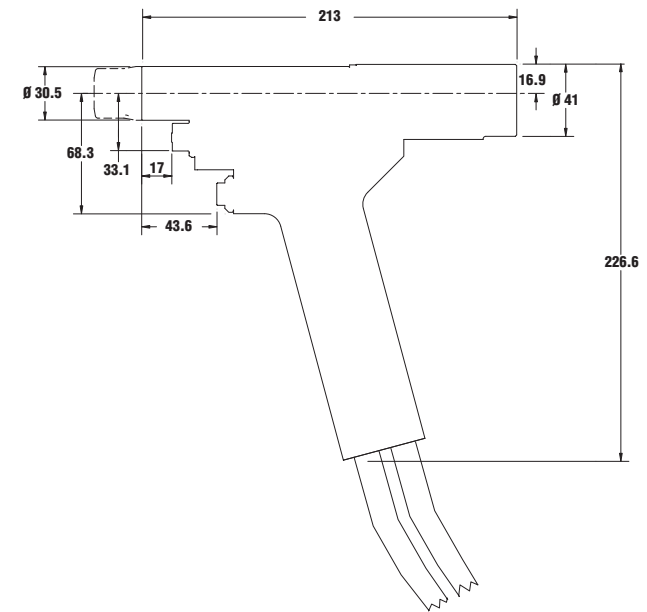
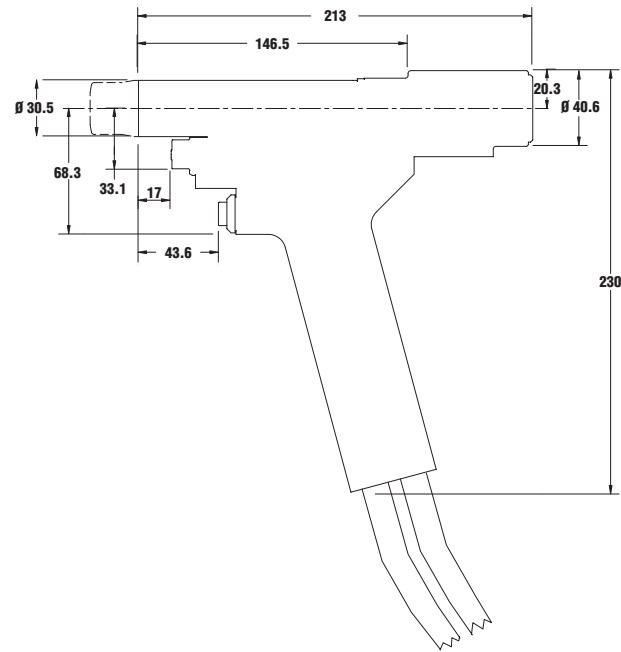
Required Air Pressure:

5.5-6.9 bar (80-100 psi)

Capacity:

28.9 kN @ 517 bar

(8500 lbs @ 7500 psi)



HUCK® INTERACTIVE CD ROM : NOSE ASSEMBLY TABLE

HS7

Compatible Fastener

Type	Diameter	Nose Assembly
Small Diameter	6.4 mm (1/4")	99-7300
HUCK-SPIN	7.9 mm (5/16")	99-7301
	9.5 mm (3/8")	99-7302
