

# 2628

## 2628 Hydraulic Installation Tool

### Specifications

*Weight:*

7.71 kg (17 lbs.)

*Stroke:*

46 mm (1.81")

*Max Operating Hydraulic Pressures:*

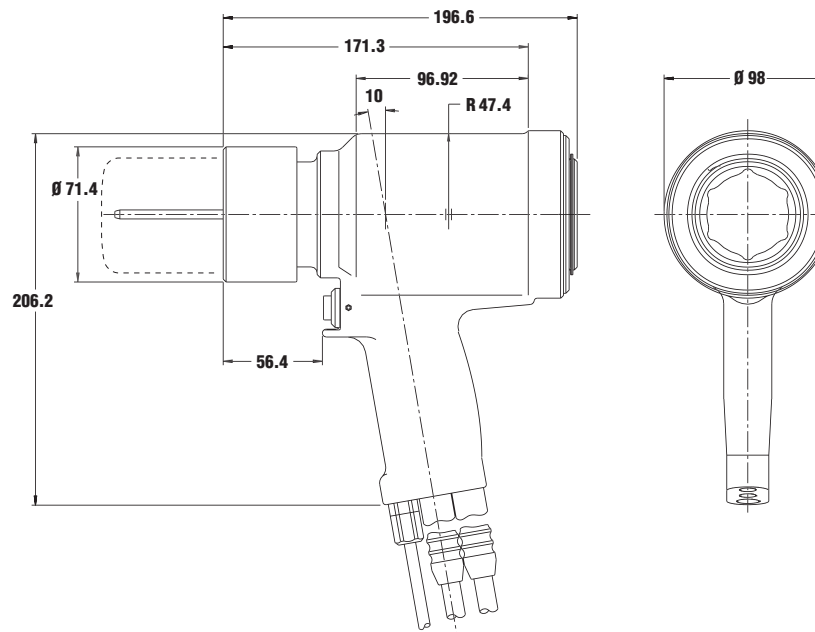
Pull-510.35 bar (7,400 psi)

Return-220.68 bar (3,200 psi)

*Capacity:*

177.30 kN @ 448.28 bar

(39858 lbs @ 6500 psi)



# HUCK® INTERACTIVE CD ROM : NOSE ASSEMBLY TABLE

## 2628

### Some Nose Assemblies & Fasteners for use with the 2628 tool

Type	Diameter	Nose Assembly
BOM	15.9 mm ( <sup>5</sup> / <sub>8</sub> "	<b>99-5102</b>
	19.1 mm ( <sup>3</sup> / <sub>4</sub> "	99-5103
C50L	15.9 mm ( <sup>5</sup> / <sub>8</sub> "	<b>99-5008</b> , 99-5009
	19.1 mm ( <sup>3</sup> / <sub>4</sub> "	<b>99-5010</b> , 99-5013
HUCK-FIT	14 mm	99-5408
HUCK-FIT	16 mm	99-5301
HP8	15.9 mm ( <sup>5</sup> / <sub>8</sub> "	99-5301, 99-5302
	19.1 mm ( <sup>3</sup> / <sub>4</sub> "	99-5303

Items in **bold** are part of our FOCUS Tooling Range