

2624

2624 Hydraulic Installation Tool

Specifications

Weight:

6.35 kg (14 lbs.)

Stroke:

42.9 mm (1.69")

Operating Hydraulic Pressures:

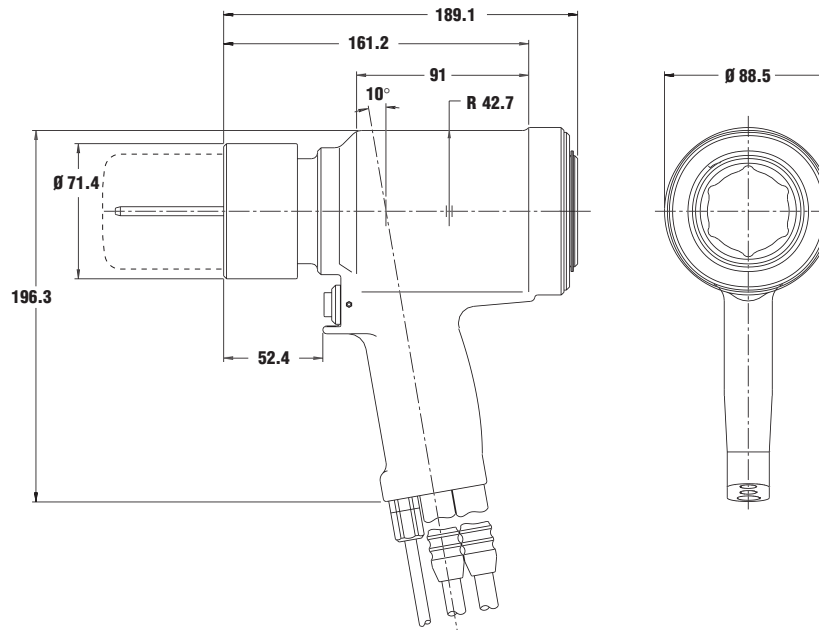
Pull-510 bar (7,400 psi)

Return-221 bar (3,200 psi)

Capacity:

135 kN @ 448 bar

(30356 lbs @ 6500 psi)



HUCK® INTERACTIVE CD ROM : NOSE ASSEMBLY TABLE

2624

Some Nose Assemblies & Fasteners for use with the 2624 Tool

Type	Diameter	Nose Assembly
BOM	15.9 mm (5/8")	99-5102
C50L	15.9 mm (5/8")	99-5008 , 99-5009
HUCKFIT	14 mm	99-5408
HP8	15.9 mm (5/8")	99-5301, 99-5302

Items in **bold** are part of our FOCUS Tooling Range