

# HUCK® INTERACTIVE CD ROM : SPECIFICATIONS

## 2503

### 2503 Hydraulic Installation Tool

#### Specifications

*Weight:*

2.1 kg (4.62 lbs.)

*Stroke:*

38 mm (1.5")

*Max Operating Hydraulic Pressures:*

Pull- \*393 bar (\*5700 psi)

Return-165 bar (2400 psi)

\* For 9.5 mm (3/8") MG use 579  
bar (8400 psi)

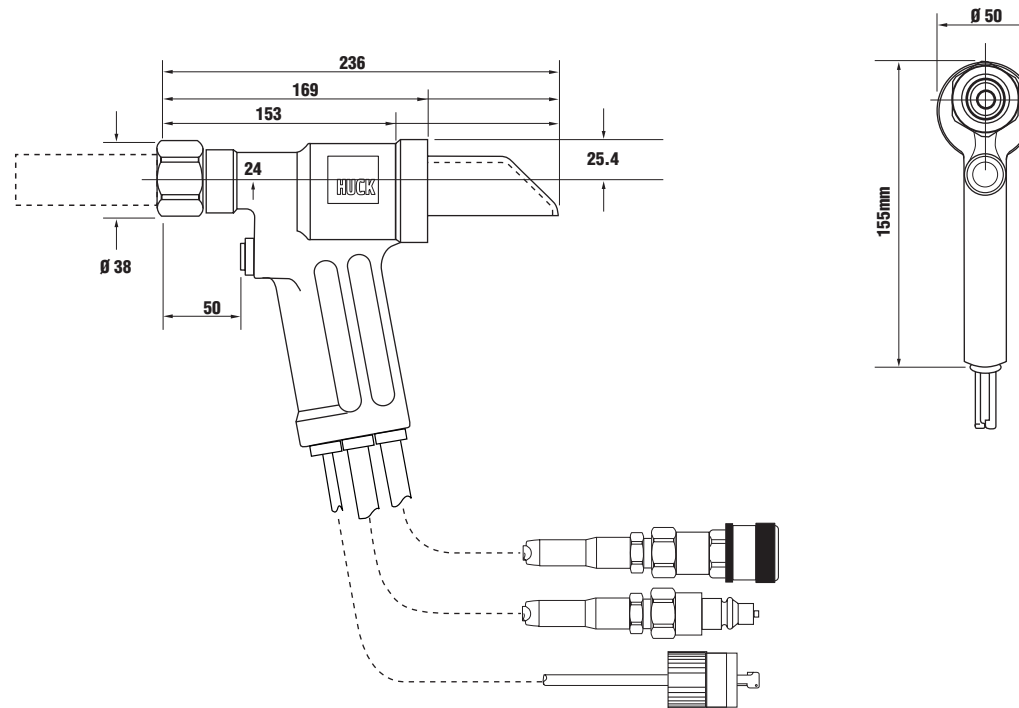
*Capacity:*

33.13 kN @ 393 bar

(7447 lbs @ 5700 psi)

49 kN @ 579 bar

(11013 lbs @ 8400 psi)



# HUCK® INTERACTIVE CD ROM : NOSE ASSEMBLY TABLE

## 2503

### Some Fasteners & Nose Assemblies for use with the 2503 Tool

Type	Diameter	Nose Assembly
BOM	4.8 mm (3/16")	<b>99-1053</b>
	6.4 mm (1/4")	<b>99-830-1</b>
	7.9 mm (5/16")	<b>99-769</b>
	9.5 mm (3/8")	<b>99-1272</b>
MAGNA-LOK	9.5 mm (3/8")	<b>99-3318</b>
MAGNA-BULB	7.9 mm (5/16")	<b>99-3307</b>
C6L/C120L	4.8 mm (3/16")	99-2558
	6.4 mm (1/4")	99-2564
	7.9 mm (5/16")	<b>99-99-245</b>
	9.5 mm (3/8")	<b>99-100-245</b>
MAGNA-GRIP	4.8 mm (3/16")	99-3206
	6.4 mm (1/4")	99-3207
	7.9 mm (5/16")	<b>99-1439</b>
	9.5 mm (3/8")	<b>99-1440</b>
HUCKTAINER	9.5 mm (3/8")	99-3438
FLOORTIGHT	7.9 mm (5/16")	<b>99-3452</b>

Items in **bold** are part of our FOCUS Tooling Range