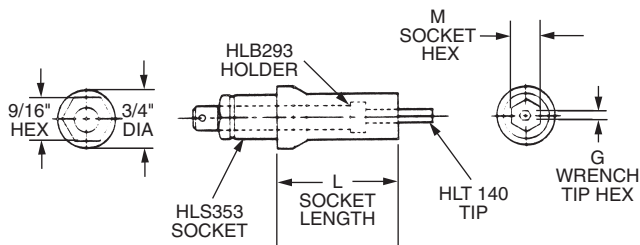


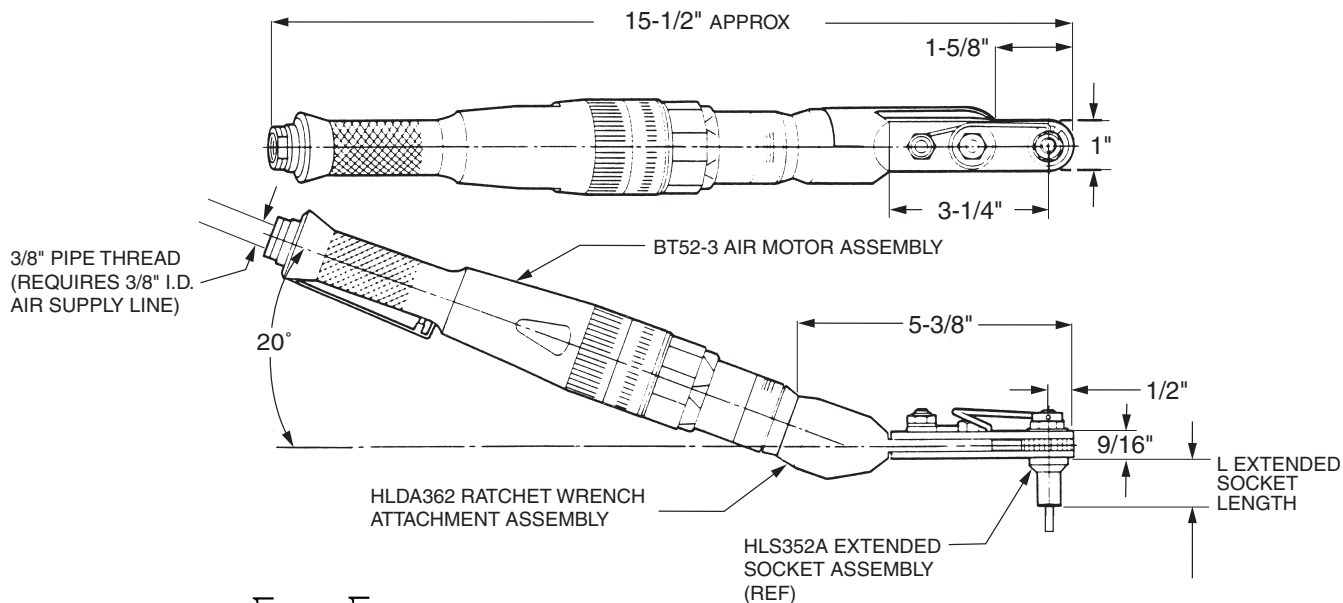
INSTALLATION TOOLING

HLA3522

Large 20° Offset Ratchet Wrench Tool Assembly with Extended Socket and Super-Key™ (T-Series)



HLS352A EXTENDED SOCKET ASSY.



DRIVER BASIC PART NO.

"M" SOCKET HEX REF TABLE 1

"G" WRENCH TIP HEX TABLE 1

HLA 4001 - 437 -156

Example 1: complete driver assy. part no.

ORDERING INFORMATION

1. Determine collar driving hex dimensions of the fasteners to be installed.
2. See table 1 for "M" socket hex to match collar driving hex dimensions. Determine complete tool assembly part no. See example 1.
3. See table 2 for complete tool assembly part no.s to obtain an Offset Adaptor Assembly featuring a thru-hex socket, less finder pin and leaf spring.
4. See example 2.

TECHNICAL DATA

Operating Pressure	90 PSIA	Horsepower Rating	0.70
MAX. TORQUE RATING	300 in. lb	Air Consumption	22 SCFM
(Motor)	@ 90 PSIA	Weight	3.8 lb
Socket Speed	250 RPM		

TABLE 1

"M" SOCKET HEX (Matches Collar Driving Hex)	COMPLETE TOOL ASSY. PART NO.	RATCHET WRENCH ATTACHMENT ASSY. PART NO. (Ref.)	EXTENDED SOCKET ASSY. PART NO.
7/16	HLA3522-437()-125T	HLDA362-437()-125T	HLS352A-437()-125T
1/2	HLA3522-500()-125T	HLDA362-500()-125T	HLS352A-500()-125T
9/16	HLA3522-562()-125T	HLDA362-562()-125T	HLS352A-562()-125T
5/8	HLA3522-625()-125T	HLDA362-625()-125T	HLS352A-625()-125T
11/16	HLA3522-687()-125T	HLDA362-687()-125T	HLS352A-687()-125T
7/16	HLA3522-437()-156T	HLDA362-437()-156T	HLS352A-437()-156T
1/2	HLA3522-500()-156T	HLDA362-500()-156T	HLS352A-500()-156T
9/16	HLA3522-562()-156T	HLDA362-562()-156T	HLS352A-562()-156T
5/8	HLA3522-625()-156T	HLDA362-625()-156T	HLS352A-625()-156T
11/16	HLA3522-687()-156T	HLDA362-687()-156T	HLS352A-687()-156T

SUPER HLA3522
LARGE 20° OFFSET RATCHET WRENCH TOOL ASSY w/Extended Socket & Super-Key™ (T-Series)



HLDA362

Large 20° Offset Ratchet Wrench Attachment Assembly with Extended Socket and Super-Key™ (T-Series)

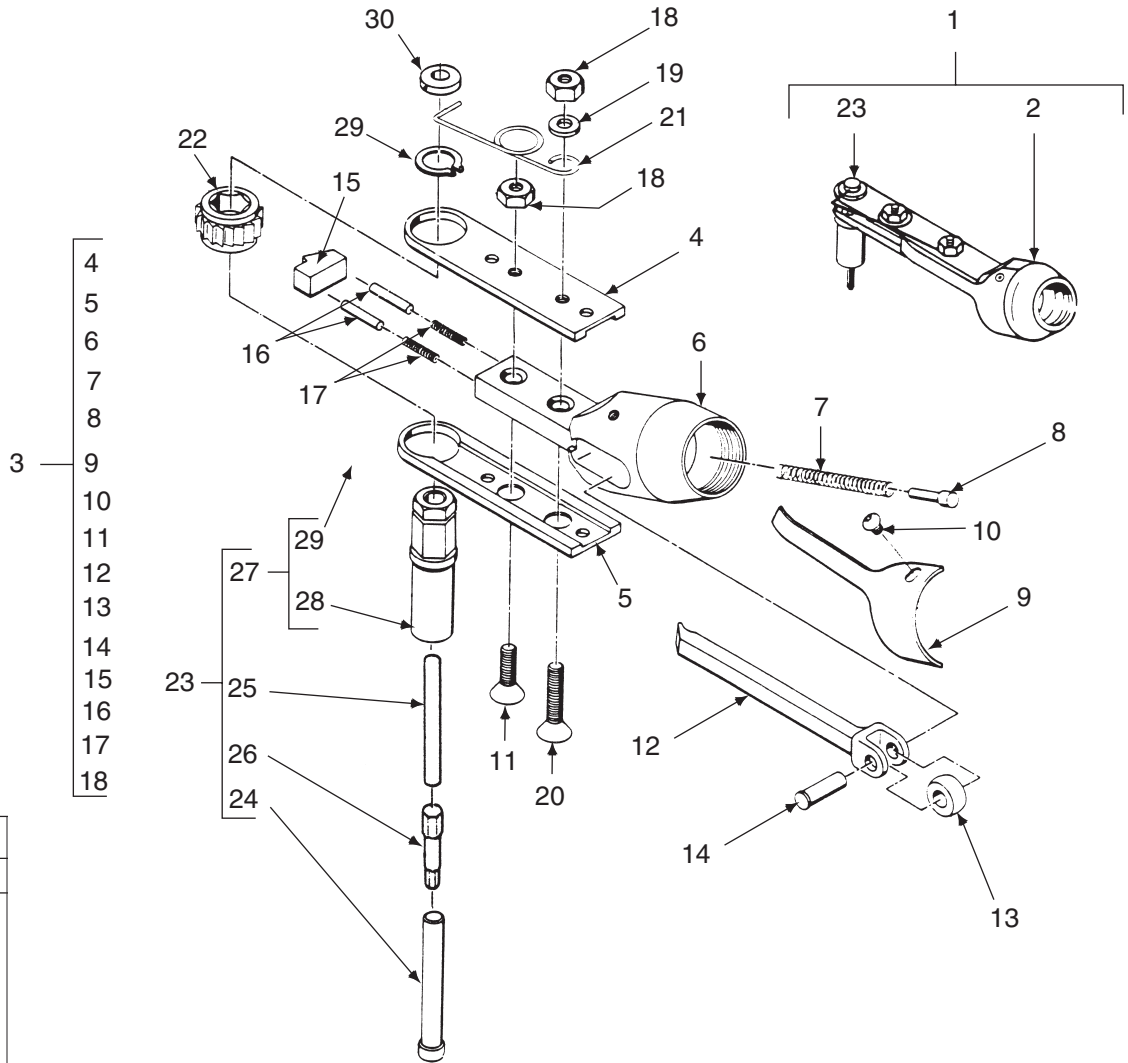


TABLE 2

WRENCH TIP

HEX SIZE (Matches Pin Recess Hex)	PART NO.
1/8	HLT140K-125
5/32	HLT140K-156

ITEM	PART NO.	DESCRIPTION	QTY	ITEM	PART NO.	DESCRIPTION	QTY
1	HLDA362-() () ()	Ratchet wrench attachment assy.	1	17	9D-6089	... Spring	2
2	HLRA362	. Ratchet attachment assy.	1	18	C-101-D	... Nut	2
3	504158	... Ratchet attachment sub-assy.	1	19	AN960-416	.. Washer	1
4	9D-6229	... Sideplate, tapped	1	20	1/4-20 x 1" lg.	.. Screw, flat head socket cap 82°	1
5	9D-6230	... Sideplate, countersunk	1	21	HLB1474-11	.. Spring	1
6	A-9D-6096	... Housing	1	22	28066	.. Gear, socket	1
7	9D-2582	... Spring	1	23	HLS352A-() () () T	. Socket assy., extended	1
8	9D-5159	... Pin	1	24	HLB1838-() () ()	... Holder	1
9	9D-5170	... Cover	1	25	HLB2097-()	... Spacer	1
10	B-117-J	... Screw	2	26	HLT140K-() Table 2	... Super-Key™	1
11	B-123-X	... Screw	1	27	HLS352-() ()	.. Socket assy.	1
12	A-27415	... Pushrod	1	28	HLS353-() ()	... Socket	1
13	9D-2545	... Roller	1	29	5103-56	... Retaining ring	1
14	9D-2725	... Pin	1	30	HLB1578-1	9/16 (.562) Socket hex & smaller	1
15	27278	... Pawl	1	30	HLB1578-2	5/8 (.625) Socket hex & larger	1
16	80G-220	... Pin	2				

Hi-Shear Corporation
2600 Skypark Dr. Torrance, CA 90509 USA
tel 310.326.8110 • Tool Div. fax 310.784.4270

HLDA362
LARGE 20° OFFSET RATCHET WRENCH ATTACHMENT ASSY w/Extended Socket & Super-Key™ (T-Series)