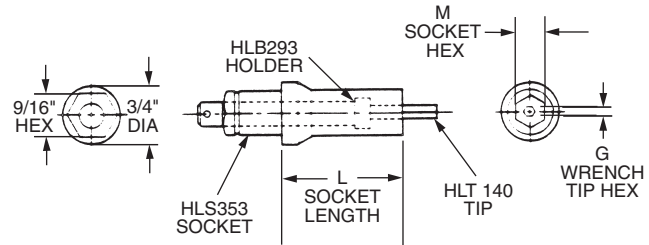
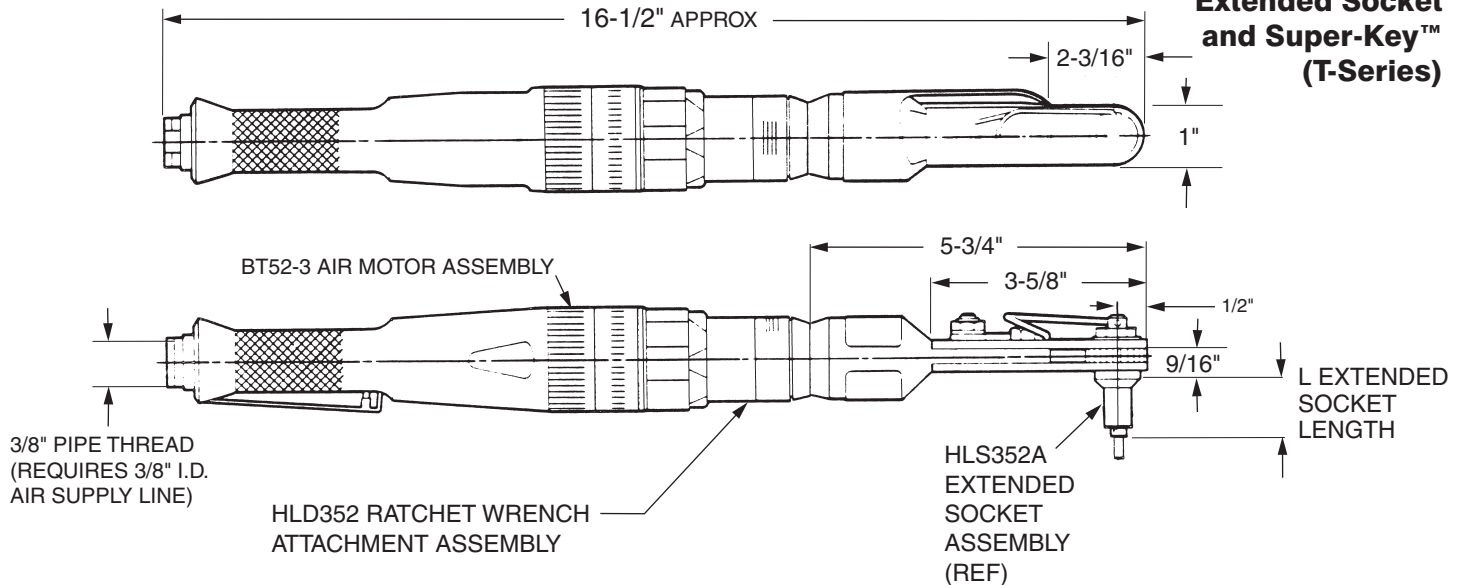


INSTALLATION TOOLING

HLA3502

Large Straight Ratchet Wrench Tool Assembly with Extended Socket and Super-Key™ (T-Series)



HLS352A EXTENDED SOCKET ASSY

TECHNICAL DATA

Operating Pressure	90 PSIA	Horsepower Rating	0.70
MAX. TORQUE RATING	300 in. lb (Motor) @ 90 PSIA	Air Consumption	22 SCFM
Socket Speed	250 RPM	Weight	3.8 lbs

TABLE 1

COLLAR DRIVING HEX (Matches Socket Hex)	PIN RECESS HEX (Matches Super-Key Hex)	COMPLETE DRIVER ASSY. PART NO.	OFFSET ADAPTOR & SOCKET ASSY. PART NO.	EXTENDED SOCKET ASSY. PART NO.
7/16	1/8	HLA3502-437()-125T	HLD352-437()-125T	HLS352A-437()-125T
1/2		HLA3502-500()-125T	HLD352-500()-125T	HLS352A-500()-125T
9/16		HLA3502-562()-125T	HLD352-562()-125T	HLS352A-562()-125T
5/8		HLA3502-625()-125T	HLD352-625()-125T	HLS352A-625()-125T
11/16		HLA3502-687()-125T	HLD352-687()-125T	HLS352A-687()-125T
7/16	5/32	HLA3502-437()-156T	HLD352-437()-156T	HLS352A-437()-156T
A = 0.50		HLA3502-500()-156T	HLD352-500()-156T	HLS352A-500()-156T
B = 1.00		HLA3502-562()-156T	HLD352-562()-156T	HLS352A-562()-156T
C = 1.50		HLA3502-625()-156T	HLD352-625()-156T	HLS352A-625()-156T
D = 2.00		HLA3502-687()-156T	HLD352-687()-156T	HLS352A-687()-156T

TABLE 2

A = 0.50	E = 0.75	1/2
B = 1.00	F = 1.75	9/16
C = 1.50	X = 4.00	5/8
D = 2.00		11/16

DRIVER BASIC PART NO.

SOCKET HEX REF. TABLE 1

SOCKET LENGTH (REF TABLE 2)

SUPER-KEY HEX REF. TABLE 1.

SUPER-KEY (T-SERIES)

HLA 3502 - 437 (C) - 156 T

Example: complete driver assy. part no.

ORDERING INFORMATION

- Match pin and collar hexes with Super-Key Hex and Socket Hex.
- See table 1 for corresponding complete driver assy part no.

HLD352

Large Straight Ratchet Wrench Attachment Assembly with Extended Socket and Super-Key™ (T-Series)

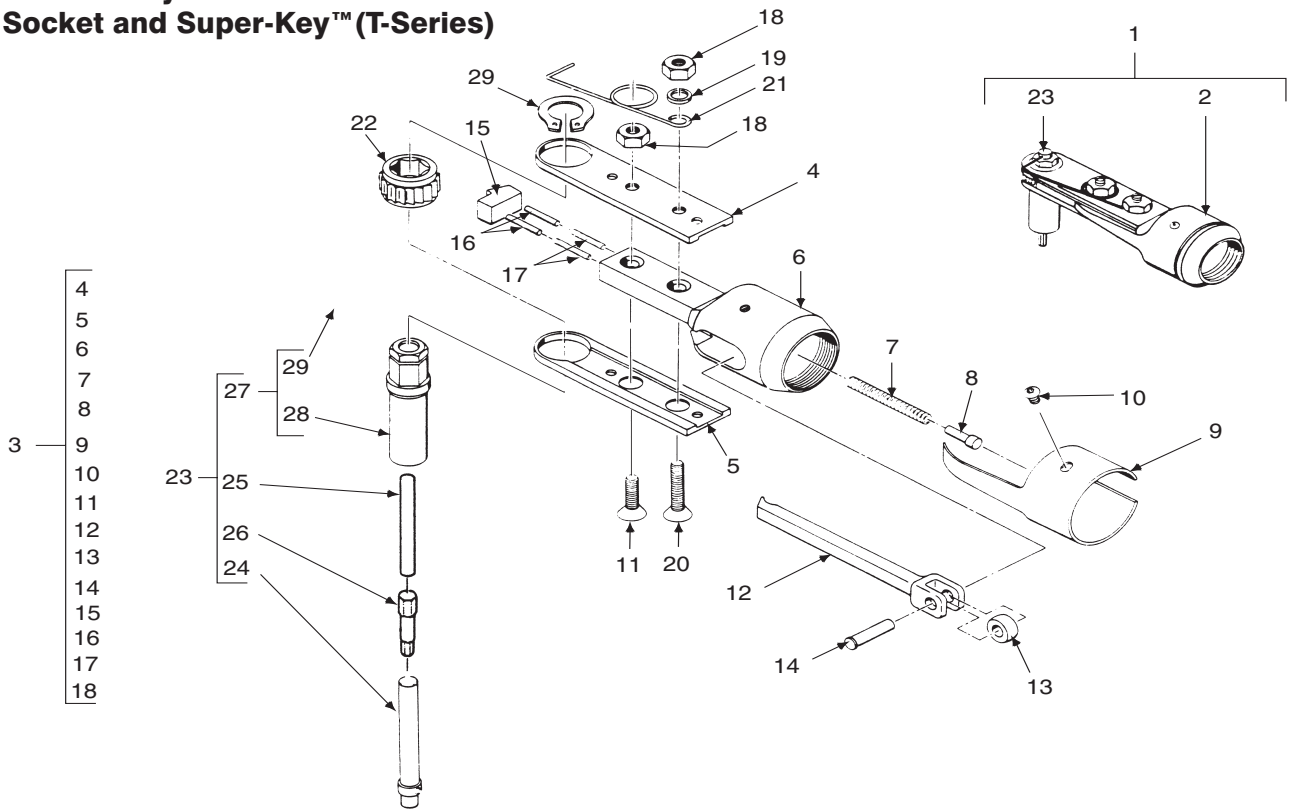


TABLE 3

SOCKET

TABLE 4

WRENCH TIP

HEX SIZE (Matches Collar Driving Hex)	PART NO.	HEX SIZE (Matches Pin Recess Hex)	PART NO.
7/16	HLS353-437 ()	1/8	HLT140K-125
1/2	HLS353-500 ()	5/32	HLT140K-156
9/16	HLS353-562 ()		
5/8	HLS353-625 ()		
11/16	HLS353-687 ()		

ITEM	PART NO.	DESCRIPTION	QTY	ITEM	PART NO.	DESCRIPTION	QTY
1	HLD352-() ()-()T	Ratchet wrench attachment assy.	1	16	80G-220	... Pin	2
2	HLR352	. Ratchet attachment assy.	1	17	9D-6089	... Spring	2
3	AA-9D-6096-16	... Ratchet attachment sub-assy.	1	18	C-101-D	... Nut	2
4	9D-6229	... Sideplate, tapped	1	19	AN960-416	.. Washer	1
5	9D-6230	... Sideplate, countersunk	1	20	1/4-20 x 1" lg.	.. Screw, flat head socket cap 82°	1
6	A-9D-6096	... Housing	1	21	HLB1474-9	.. Spring	1
7	9D-2582	... Spring	1	22	28066	.. Gear, socket	1
8	9D-5159	... Pin	1	23	HLS352A-() ()-()T	. Socket assy., extended	1
9	9D-5170	... Cover	1	24	HLB1838-() ()-()	... Holder	1
10	B-117-J	... Screw	2	25	HLB32097 ()	... Spacer	1
11	B-123-X	... Screw	1	26	HLT140K-() () Table 4	... Super-Key™	1
12	A-27415	... Pushrod	1	27	HLS352-() ()	.. Socket assy.	1
13	9D-2545	... Roller	1	28	HLS353-() () Table 3	... Socket	1
14	9D-2725	... Pin	1	29	5103-56	... Retaining ring	1
15	27278	... Pawl	1				

Hi-Shear Corporation

2600 Skypark Dr. Torrance, CA 90509 USA
tel 310.326.8110 • Tool Div. fax 310.784.4270

HLD352

**LARGE STRAIGHT RATCHET WRENCH ATTACHMENT ASSY w/Extended Socket
& Super-Key™ (T-Series)**