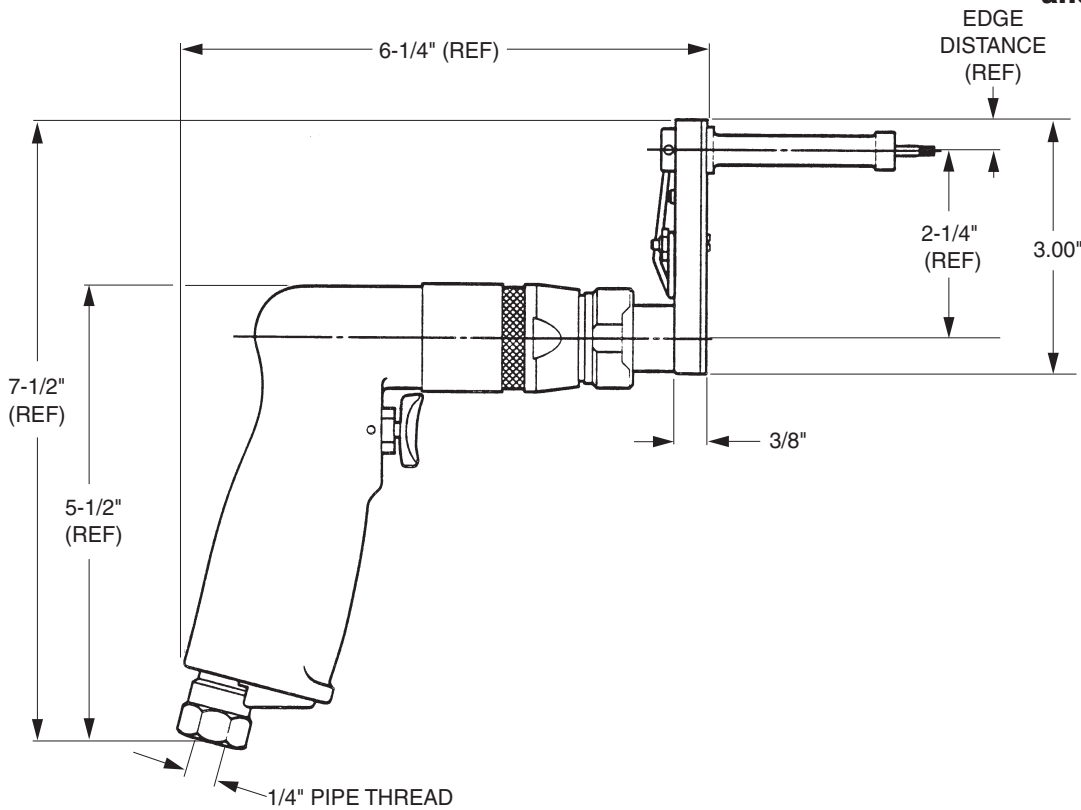


# HLA1204

## 2 Inch Offset Mini Driver Assembly with Multi-Length Socket and Super-Key™ (T-Series)



DRIVER BASIC PART NO.

SOCKET HEX REF. TABLE 1

SOCKET LENGTH REF. TABLE 2

SUPER-KEY HEX REF. TABLE 1

SUPER-KEY HEX (T-SERIES)

**HLA1204-312 (B)-078 -T**

Example: complete driver assy. part no.

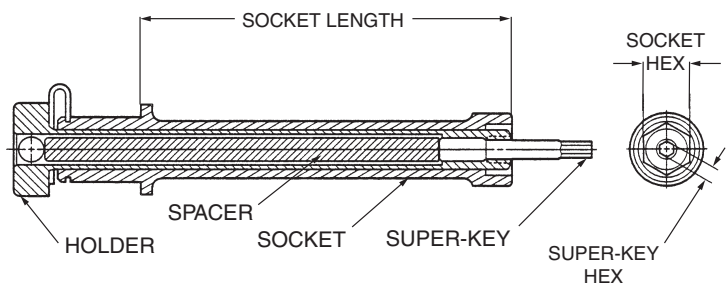
**ORDERING INFORMATION**

1. Match pin and collar hexes with Super-Key Hex and Socket Hex.
2. See table 1 for corresponding complete driver assy part no.

**TABLE 2**

A = 0.50	E = 0.75
B = 1.00	F = 1.75
C = 1.50	X = 4.00
D = 2.00	

**SOCKET ASSEMBLY DETAIL**



**TECHNICAL DATA**

Operating Pressure .....	90 PSIA	Horsepower Rating .....	0.2
<b>MAX. TORQUE RATING</b> .....	60 in. lb (Motor)	Air Consumption .....	20 CFM @ 90 PSIA
Socket Speed .....	500 RPM	Weight .....	2 lb

**TABLE 1**

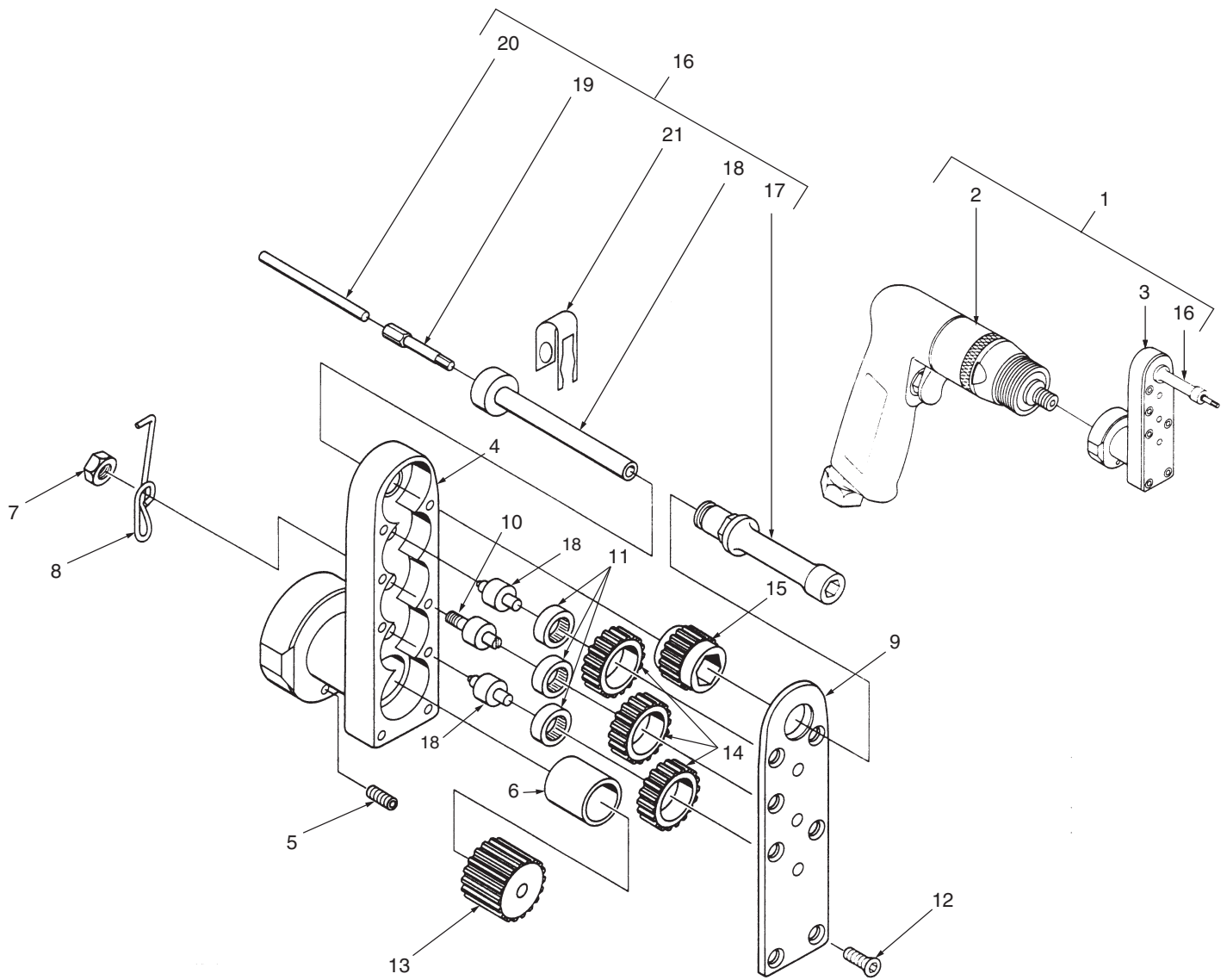
TABLE 2		COLLAR DRIVING HEX (Matches Socket Hex)	PIN RECESS HEX (Matches Super-Key Hex)	COMPLETE DRIVER ASSY. PART NO.	OFFSET ADAPTOR AND SOCKET ASSY. PART NO.
A = 0.50	E = 0.75	1/4	5/64	HLA1204-250( )-078T	HLS32-250( )-078
B = 1.00	F = 1.75	5/16	5/64	HLA1204-312( )-078T	HLS32-312( )-078
C = 1.50	X = 4.00				
D = 2.00					

**SUPER HLA1204 2 INCH OFFSET MINI DRIVER ASSEMBLY with Multi-Length Socket and Super-Key™ (T-Series)**



# HLG328

## 2 Inch Offset Mini Driver Assembly with Multi-Length Socket and Super-Key™ (T-Series)



ITEM	PART NO.	DESCRIPTION	QTY	ITEM	PART NO.	DESCRIPTION	QTY
1	HLA1204-( )-( )T	Complete tool assy.	1	12	HLB379	. . Screw, flat head socket	6
2	HLB1575	. . Air motor assy.	1	13	HLB1541	. . Gear, drive	1
3	HLG328-( )( )T	. . Offset adaptor & socket assy.	1	14	HLB1544	. . Gear, idler	3
4	HLB1564	. . Housing	1	15	HLB1543-( )	. . Gear, socket <b>Table 3</b>	1
5	5-40 UNC x .125 lg.	. . Set screw	1	16	HLS32-( )( )-078	. . Socket assy.	1
6	HLB1542	. . Spacer	1	17	HLS71-( )( )	. . Socket, hex	1
7	AN364-632C	. . Nut, hex	1	18	HLB1615-250( )	. . Holder	1
8	HLB1545	. . Spring, ejector	1	19	HLT140K-(078)	. . Super-Key	1
9	HLB1566	. . Cover	1	20	HLB1616-( )	. . Spacer	1
10	HLB208-3	. . Shaft	1	21	HLB1635	. . Ring, lock	1
11	B34	. . Bearing (Torrington)	3				

Hi-Shear Corporation  
 2600 Skypark Dr. Torrance, CA 90509 USA  
 tel 310.326.8110 • Tool Div. fax 310.784.4270

**HLG328**  
**2 Inch Offset Mini Driver Assembly with Multi-Length Socket**  
**and Super-Key™ (T-Series)**