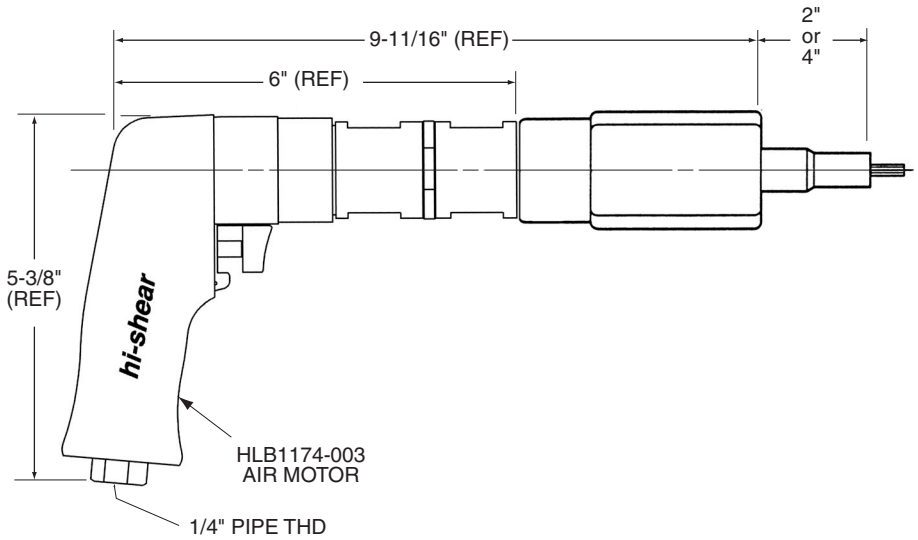
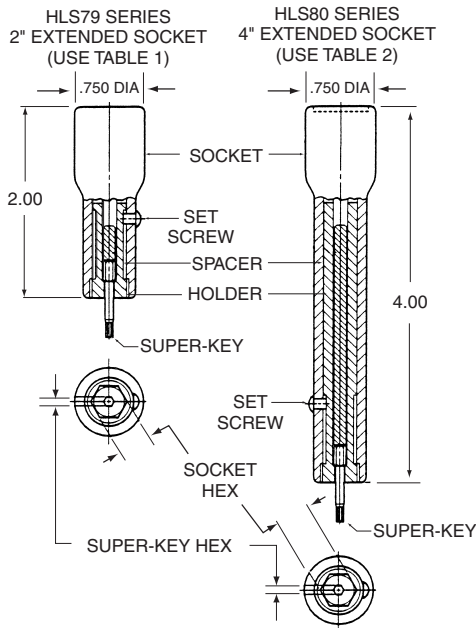


INSTALLATION TOOLING

SUPER HLA1051

Straight Driver Assembly
with Extended Socket
and Super-Key™ (T-Series)



DRIVER BASIC PART NO.

SOCKET HEX REF. TABLE 1 OR 2

SOCKET LENGTH: X = 4.0", NO LETTER = 2.0"

SUPER-KEY HEX REF. TABLE 1 OR 2.

SUPER-KEY (T-SERIES)

HLA1051-312(X)-078-T

Example: complete driver assy. part no.

ORDERING INFORMATION

1. Match pin and collar hexes with Super-Key Hex and Socket Hex.
2. See tables 1 & 2 for corresponding complete driver assy part no.

TECHNICAL DATA

Operating Pressure	90 PSIA	Horsepower Rating	0.70
MAX. TORQUE RATING	300 in. lb (Motor) @ 90 PSIA	Air Consumption	22 scfM
Socket Speed	250 RPM	Weight	3.8 lb

TABLE 1

TABLE 2

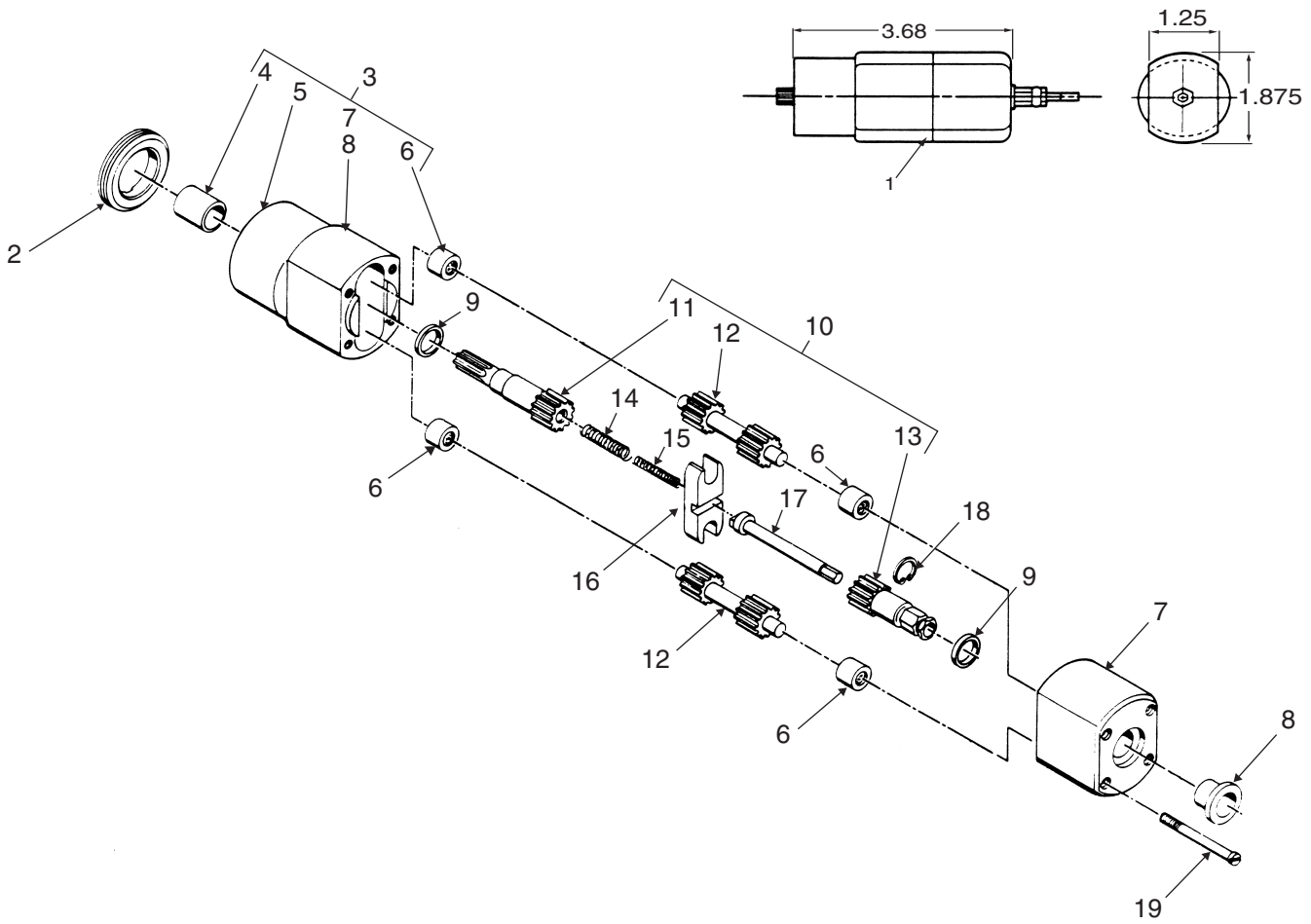
COLLAR DRIVING HEX (Matches Socket Hex)	PIN RECESS HEX (Matches Super-Key Hex)	COMPLETE DRIVER ASSY. PART NO. w/ HLS79 Series 2" Extended Socket	COLLAR DRIVING HEX (Matches Socket Hex)	PIN RECESS HEX (Matches Super-Key Hex)	COMPLETE DRIVER ASSY. PART NO. w/ HLS80 Series 4" Extended Socket
3/16	1/16	HLA1051-187-062T	3/16	1/16	HLA1051-187X-062T
7/32		HLA1051-218-062T	7/32		HLA1051-218X-062T
1/4		HLA1051-250-062T	1/4		HLA1051-250X-062T
9/32		HLA1051-281-062T	9/32		HLA1051-281X-062T
5/16		HLA1051-312-062T	5/16		HLA1051-312X-062T
11/32	5/64	HLA1051-343-062T	11/32	5/64	HLA1051-343X-062T
7/32		HLA1051-218-078T	7/32		HLA1051-218X-078T
1/4		HLA1051-250-078T	1/4		HLA1051-250X-078T
9/32		HLA1051-281-078T	9/32		HLA1051-281X-078T
5/16		HLA1051-312-078T	5/16		HLA1051-312X-078T
11/32	3/32	HLA1051-343-078T	11/32	3/32	HLA1051-343X-078T
3/8		HLA1051-375-078T	3/8		HLA1051-375X-078T
5/16		HLA1051-312-094T	5/16		HLA1051-312X-094T
11/32		HLA1051-343-094T	11/32		HLA1051-343X-094T
3/8		HLA1051-375-094T	3/8		HLA1051-375X-094T
7/16		HLA1051-437-094T	7/16		HLA1051-437X-094T

SUPER HLA1051
STRAIGHT DRIVER ASSEMBLY with Extended Socket & Super-Key™ (T-series)



HLG101

Gear Housing Assembly



ITEM	PART NUMBER	DESCRIPTION	QTY
1	HLG101	Gear housing assy.	1
2	HLB112	. Nut, jam	1
2a	8-32 x 3/16 long	. Set screw (use on parts prior to 1-01-2002)	2
3	HLB184	. Housing assy.	1
4	Boston B68-5	. . Bearing, bronze oil impregnated (press fit)	1
5	HLB184-5	. . Housing, rear	1
6	B45	. . Bearing (Torrington)	4
7	HLB184-3	. . Housing, front	1
8	HLB185	. . Bearing (press fit)	1
9	HLB181	. Washer, thrust	2
10	HLB63	. Spur gear assy.	1
11	HLB464	. . Gear, rear spur	1
12	HLB465	. . Gear, center spur	2
13	HLB466	. . Gear, socket drive	1
14	HLB182	. Spring	1
15	HLB183	. Spring	1
16	HLB178	. Guide plate	1
17	HLB180	. Extension	1
18	HLB186	. Retaining ring	1
19	AN500-6-24	. Screw	4