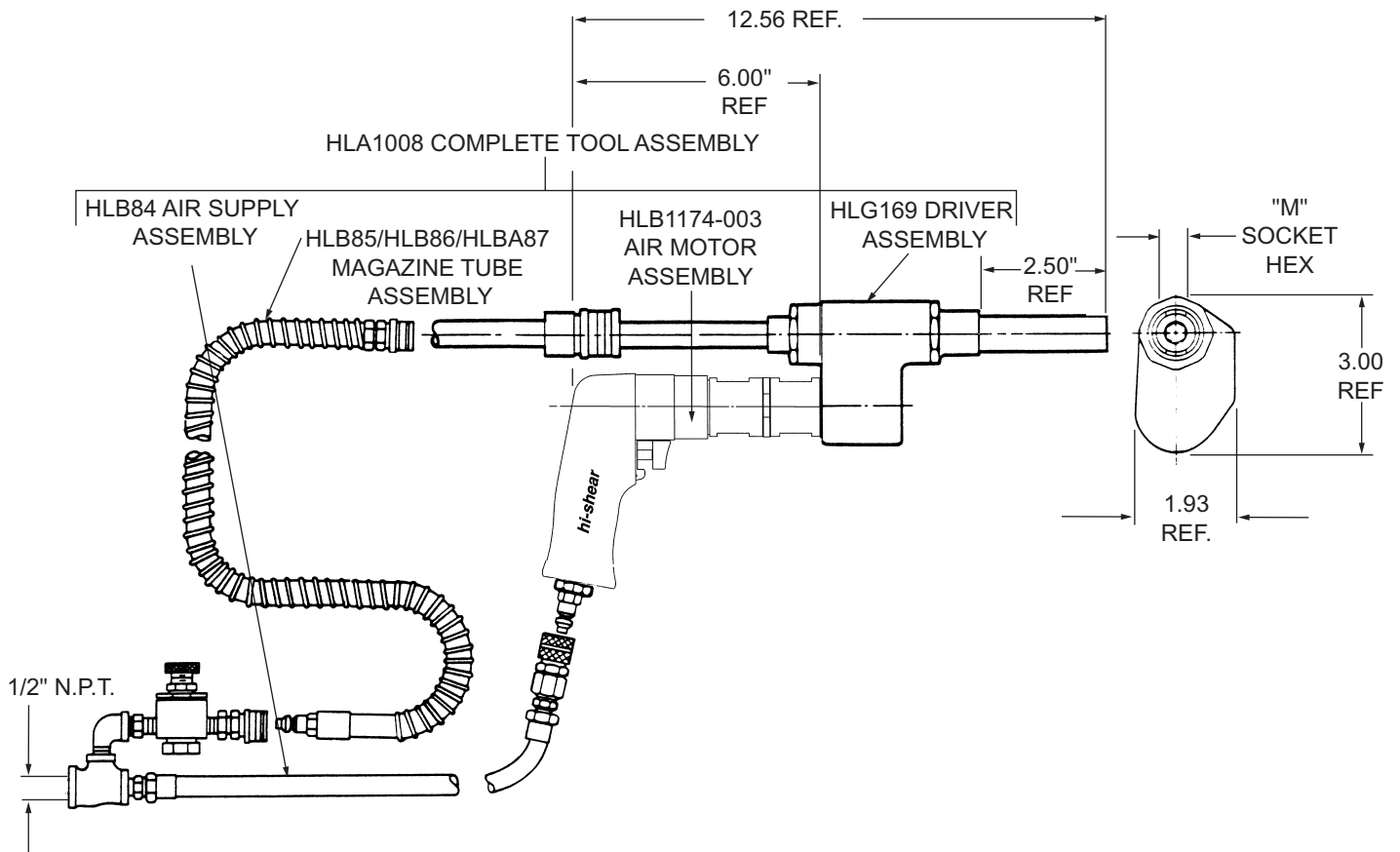


HLA1008

Automatic Feed Driver Assembly



BASIC PART NO.

"M" SOCKET HEX (REF TABLE 1)

HLA1008-312

Example 1: complete tool assy. part no.

ORDERING INFORMATION

1. Determine collar driving hex of the fasteners to be installed.
2. See table 1 for "M" socket hex to match collar driving hex dimensions. Determine complete tool assembly part number.

TECHNICAL DATA

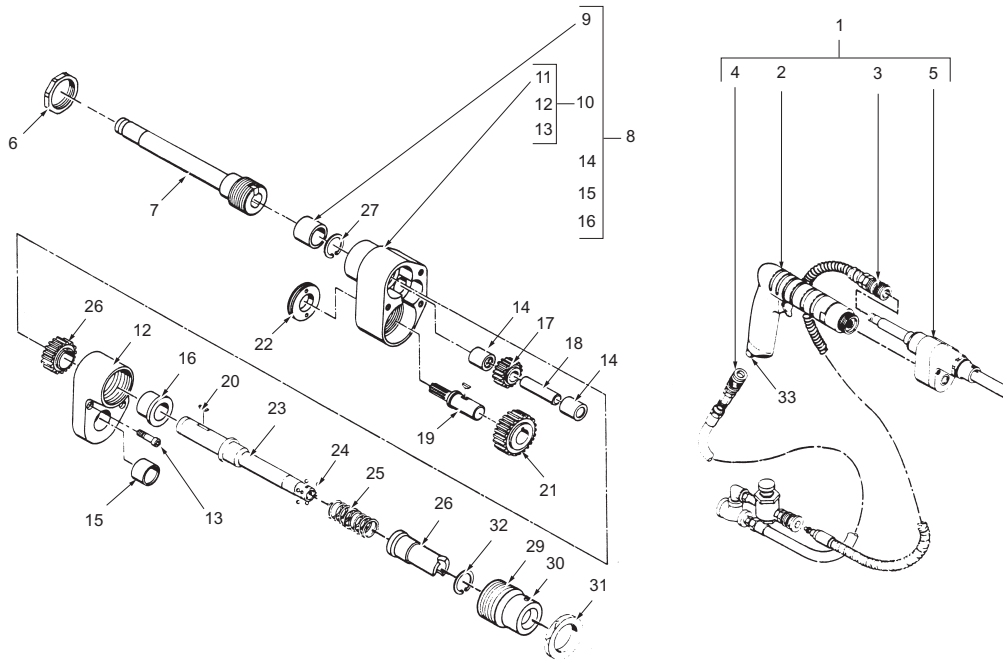
Operating Pressure	90 PSIA	Horsepower Rating	0.75
MAX. TORQUE RATING	270 in. lb	Air Consumption	25 CFM
(Motor)	@ 90 PSIA	Weight	3 lb
Socket Speed	600 RPM		

TABLE 1

"M" SOCKET HEX (Matches Collar Driving Hex)	COMPLETE TOOL ASSEMBLY Part No.	RATCHET WRENCH ATTACHMENT ASSY. Part No. (Ref.)
5/16	HLA1008-312	HLG171-312
11/32	HLA1008-343	HLG171-343
3/8	HLA1008-437	HLG171-437

HLG168

Driver Assembly



ITEM	PART NAME	PART NO. FOR ORDERING			QTY REQ.
1	Complete tool assembly	HLA1008-312	HLA1008-343	HLA1008-437	1
2	. Air motor assembly	HLB1174-003	HLB1174-003	HLB1174-003	1
3	. Magazine tube assembly	HLB85-3	HLB86-3	HLBA87-3	1
4	. Air supply assembly	HLB84	HLB84	HLB84	1
5	. Driver assembly	HLG169-312	HLG169-343	HLG169-437	1
6	.. Locknut – Read	HLB238	HLB238	HLB238	1
7	.. Feed tube assembly	HLB316-3	HLB316-5	HLB316-7	1
8	.. Housing assembly, complete	HLB276-6	HLB276-6	HLB276-8	1
9	... Bushing (Boston)	B-1012-5	B-1012-5	HLB277-3	1
10	... Housing assembly	HLB264-2	HLB264-2	HLB264-1	1
11 Case	HLB245-6	HLB245-6	HLB245-8	1
12 Cover	HLB252-6	HLB252-6	HLB252-8	1
13 Cap, screw		#10 x 24 x 1-3/8" lg.		3
14	... Bearing (Torrington)	M-681	M-681	M-681	2
15	... Bearing (Torrington)	M-881	M-881	M-881`	1
16	... Bushing (Boston)	FB1012-5	FB1012-5	HLB277-5	1
17	.. Gear, idler	HLB237	HLB237	HLB237	1
18	.. Shaft, idler	HLB241	HLB241	HLB241	1
19	.. Shaft, input	HLB235	HLB235	HLB235	1
20	.. Woodruff key	3/8 x 1/16	5/16 x 1/16 (1 req.)	3/8 x 1/16 (1 req.)	2
21	.. Gear, drive	HLB236	HLB236	HLB236	1
22	.. Ring, locking	HLB234	HLB234	HLB234	1
23	.. Spindle	HLS132 5/16 hex	HLS2 11/32 hex	HLS3 7/16 hex	1
24	.. Steel ball (chrome steel)	3/32 dia.	3/32 dia.	3/32 dia.	6
25	.. Spring	HLB240-(3)	HLB240-(3)	HLB240-(3)	1
26	.. Gear, spindle	HLB233-6	HLB233-6	HLB233-8	1
27	.. Retaining ring (Truarc)	5100-62	5100-62	5108-68	1
28	.. Sleeve	HLB324-312	HLB325-343	HLB323	1
29	.. Retainer	HLB76	HLB321	HLB144-003	1
30	.. Screw	HLB144-003	HLB144-003	HLB242	1
31	.. Locknut – front	HLB242	HLB242	-	1
32	.. Retaining ring (Truarc)	5103-62	-	-	1
33	. Plug (Hansen)	#10	#10	#10	1