

# AEROSPACE

## ULTRALITE

### COMPRESSION RIVETER

#### C-Yoke Model 705 HF

#### Standard Features

- Safety approved throttle lever
- Anodized aluminum housing
  - 90° elbow swivel air inlet
- Tool steel roller bearing and shaft
- Rivet capacity up to 5/32" aluminum and 1/8" steel
  - Additional C-yoke configurations available
    - Operate on 90 PSI air
    - Smooth controlled throttle movement
- Set holders available in 3/16" and 1/4" set holes
  - Adjustable type set holders are optional
    - Low cost replacement parts



#### Power Unit

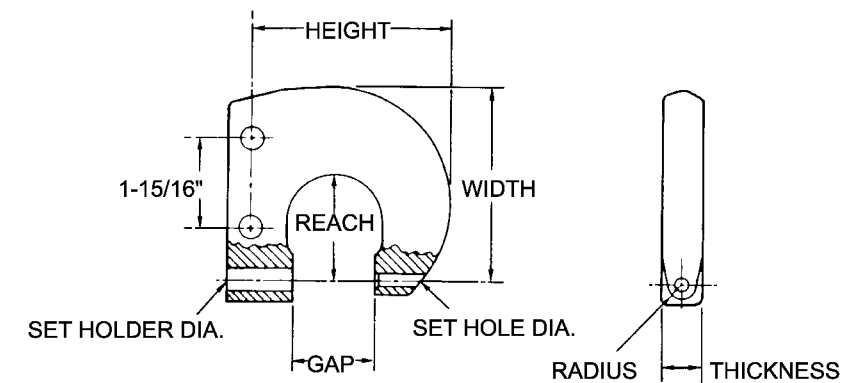
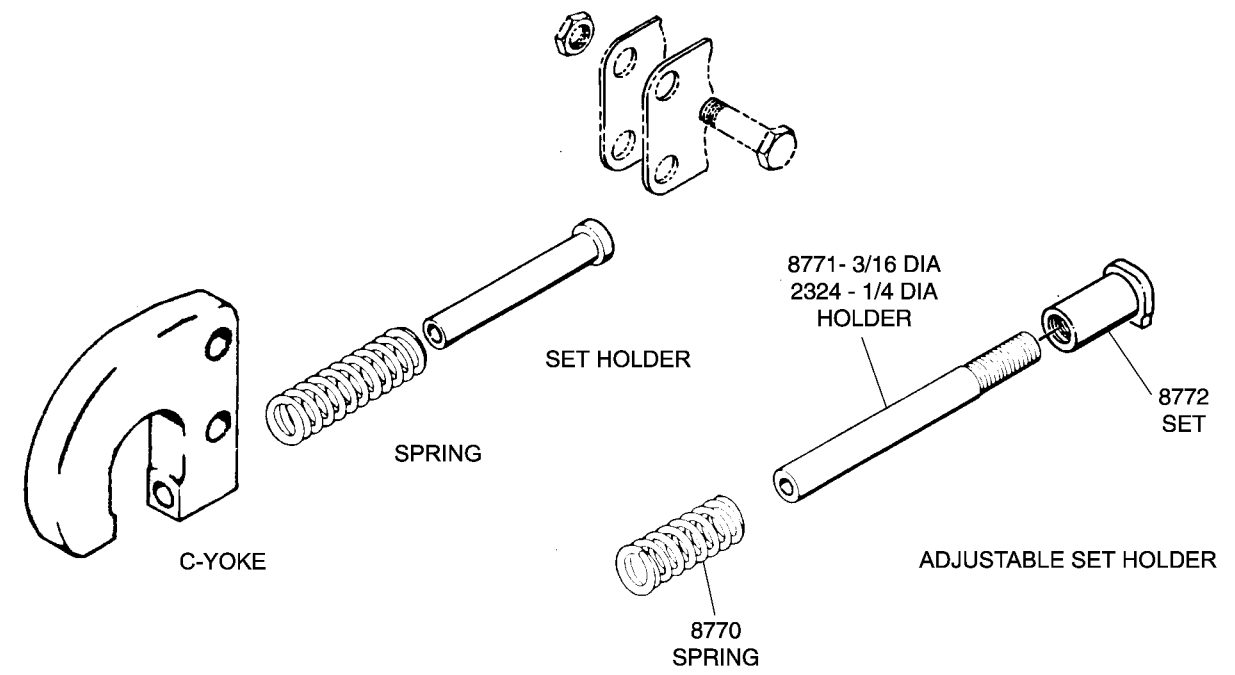
POWER UNIT ONLY		SET HOLDER PLUNGER																
MODEL NO.	ORDERING NO.	CAPACITY		COLD RIVET	CLOSED HEIGHT		MAXIMUM TRAVEL		POUNDS MAX FORCE AT 90 PSI	PART OF STROKE AT MAX FORCE		NET WEIGHT WITH C-YOKE		OVERALL LENGTH		AIR INLET		
		in.	mm	in.	in.	mm	in.	mm	pounds	in.	mm	in.	mm	lbs.	kg.	in.	mm	in.
705	(5346) obsolete	1/8	3.2	3/32	2.4	11/16	17.5	9/16	14.3	3000	1/16	1.6	4-1/2	2.0	10-1/4	260	1/4 NPT	
705 HF	8520	5/32	4.0	1/8	3.2	11/16	17.5	9/16	14.3	4500	1/32	0.8	4-1/2	2.0	10-1/4	260	1/4 NPT	

MINIMUM AIR PRESSURE: 90 PSI

MINIMUM HOSE SIZE: 1/4" DIA.

**C-Yokes** See adjacent page

Hi-Shear Corporation . 2600 Skypark Drive . Torrance, CA 90509 USA . tel 310.326.8110 . Tool Div. fax 310.784.4270  
Hi-Shear Fasteners Europe Ltd. . Butlers Leap, Rugby . Warwickshire CV21 3RQ England . tel 0788.560916



#### C-Yokes (dimensions in inches)

YOKE ASSY. NO.	REACH	GAP	WIDTH	HEIGHT	THICKNESS	RADIUS	SET HOLE SIZE	SET HOLDER	SPRING	ADJ. SET HOLDER
538	1-1/2	1-1/4	3	3-3/8	9/16	3/16	3/16	539	540	8773
958	2	1-1/4	3-9/16	3-11/16	9/16	7/32	3/16	539	540	8773
959	2-1/2	1-3/8	4-5/8	3-7/8	9/16	7/32	3/16	1351	540	8773
960	3	1-1/2	5-1/4	4-3/8	1	4-3/8	3/16	1352	540	8773
961	3-1/2	1-1/2	6-1/16	4-3/4	1	4-3/8	3/16	1352	540	8773
6336	1-1/2	1-1/4	3	3-3/8	9/16	3/16	1/4	825	540	2325
9562	2	1-1/4	3-9/16	3-11/16	9/16	3-11/16	1/4	825	540	2325
9561	2-1/2	1-3/8	4-5/8	3-7/8	9/16	3-7/8	1/4	2408	540	2325
9563	3	1-1/2	5-1/4	4-3/8	1	4-3/8	1/4	2409	540	2325
9564	3-1/2	1-1/2	6-1/16	4-3/4	1	4-3/4	1/4	2409	540	2325

**COMPRESSION RIVETER POWER UNIT - C-YOKE MODEL 705/705HF**

Item	Part No.	Description	5346		8520		Item	Part No.	Description	5346		8520	
			Qty.	Qty.	Qty.	Qty.				Qty.	Qty.		
005	589	Cylinder assy.	1	1	150	491	.. O-ring	1	1				
010	536	Shaft, roller, bearing	1	1	155	489	. Nut, swivel, air inlet	1	1				
015	369	Screw, hex soc hd capc	1	1	160	6313	. O-ring	1	1				
020	537	Washer	1	1	165	552	. Elbow, 90 degree	1	1				
025	495	Guard, roller bearing	1	1	170	6835	Valve assy., throttle	1	1				
030	456	Screw, round hd machine	1	1	175	6298	. Valve, throttle	1	1				
035	496	Spacer	1	1	180	566	. O-ring	1	1				
040	795	Lever assy., valve, throttle	1	1	185	3577	Spring, compression	1	1				
045	572	Spacer	1	1	190	6341	Cylinder head assy.	1	1				
050	462	Fork, shaft, piston	1	1	195	6350	. Bushing assy., throttle val	1	1				
055	466	Rivet	1	1	200	5183	.. O-ring	1	1				
060	463	Nut, stop, elastic	1	1	205	6309	.. Bushing, valve, throttle	1	1				
065	2748	Washer	1	1	210	1607	. Cylinder head	1	1				
070	493	Wedge	1		215	541	Bolt, hex	2	2				
070	8474	Wedge		1	220	415	Nut, hex, jam	2	2				
075	465	Spacer	1	1	225	494	Plate, yoke frame	2	2				
080	410	Screw, hex hd steel cap	6	6	230	553	Lever assy.	1	1				
085	483	Gasket, head, cylinder	1	1	235	532	. Lever, holder	1	1				
090	461	Plate, leather, cup	1	1	240	535	. Shaft, roller, bearing	1	1				
095	460	Cup, leather	1	1	245	533	. Bearing, outer, roller	1	1				
100	438	Piston assy.	1	1	250	534	. Bearing, inner, roller	1	1				
105	468	Spring, compression	2	2	255	627	. Bearing, needle, roller	32	32				
110	467	Spring, compression	2	2	258	554	Roller bearing assy.	1	1				
115	944	Lever assy., Arm	1	1	260	498	. Guide, wedge	2	2				
120	901	. Lever, throttle	1	1	265	470	. Shaft, roller bearing	2	2				
125	628	. Screw, fillister, slotted	1	1	270	472	. Washer, thrust	4	4				
130	200	Spring	1	1	275	469	. Bearing, roller, outer	2	2				
135	2436	Swivel, air inlet	1	1	280	626	. Bearing, roller, needle	40	40				
140	490	. Swivel assy., air inlet	1	1	285	497	Pin, spacer	1	1				
145	1585	.. Swivel, air inlet	1	1									

