

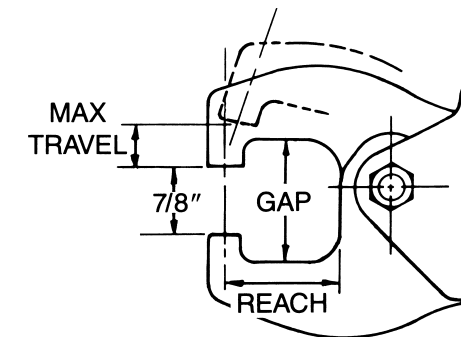
AEROSPACE

ULTRALITE[®] COMPRESSION RIVETER

Alligator Model 710A HF

Standard Features

- Safety throttle lever
- Anodized aluminum housing
- 90° elbow swivel air inlet
- Rivet capacity up to 3/16" aluminum and 5/32" steel
 - Smooth controlled throttle movement
 - Low cost replacement parts
 - Tool steel roller bearings and shafts
- Additional configuration of jaws available
 - Operate on 90 PSI air
- Set holders in 3/16" and 1/4" diameter available



Power Unit

MODEL NO.	POWER UNIT ONLY ORDERING NO.	JAW REACH	CAPACITY COLD RIVET				MAX FORCE AT 90 PSI pounds	PART OF STROKE AT MAX FORCE		NET WEIGHT WITH JAWS		OVERALL LENGTH		AIR INLET
			ALUMINUM in.	mm	STEEL in.	mm		in.	mm	lbs.	kg.	in.	mm	
710A	(5347) obsolete	1-1/2	1/8	3.2	3/32	2.4	3000	1/16	1.6	3-3/4	1.7	9-3/16	233	1/4 NPT
		2-1/4	1/8	3.2	3/32	2.4	2200	3/32	2.4	4-1/4	1.9	10-1/8	257	1/4 NPT
		3	3/32	2.4	3/32	2.4	1800	1/8	3.2	4-3/4	2.1	10-7/8	276	1/4 NPT
710A HF	8521	1-1/2	3/16	4.8	5/32	4.0	4500	1/32	0.8	3-3/4	1.7	9-3/16	233	1/4 NPT
		2-1/4	5/32	4.0	1/8	3.2	3300	3/64	1.2	4-1/4	1.9	10-1/8	252	1/4 NPT
		3	1/8	3.2	3/32	2.4	2700	1/16	1.6	4-3/4	2.1	10-7/8	276	1/4 NPT

MINIMUM AIR PRESSURE: 90 PSI

MINIMUM HOSE SIZE: 1/4" DIA.

Alligator Jaws See adjacent page ►

Hi-Shear Corporation . 2600 Skypark Drive . Torrance, CA 90509 USA . tel 310.326.8110 . Tool Div. fax 310.784.4270
Hi-Shear Fasteners Europe Ltd. . Butlers Leap, Rugby . Warwickshire CV21 3RQ England . tel 0788.560916



Alligator Jaws (dimensions in inches)

JAW ASSY	STATIONARY JAW	MOVING JAW	SET HOLE SIZE	MAX REACH	GAP	MAX TRAVEL
7360	457	3488	3/16	1-1/2	1-5/8	5/8
7361	1974	1975	1/4	1-1/2	1-5/8	5/8
7362	1213	3490	3/16	2-1/4	1-3/4	7/8
7363	6482	6483	1/4	2-1/4	1-3/4	7/8
7364	1215	3491	3/16	3	2-1/8	1-1/4
7365	5975	5976	1/4	3	2-1/8	1-1/4

COMPRESSION RIVETER POWER UNIT - ALLIGATOR JAW MODEL 710A/710A HF

Item	Part No.	Description	5347		8521		Item	Part No.	Description	5347		8521	
			Qty.	Qty.	Qty.	Qty.				Qty.	Qty.		
005	588	Cylinder	1	1	150	6350	. Bushing assy., throttle valve	1	1				
010	482	Bolt, bearing, roller	1	1	155	6309	.. Bushing, valve, throttle	1	1				
015	177	Washer, flat	1	1	160	5183	.. O-ring	1	1				
020	184	Nut, jam, hex	1	1	165	1607	. Cylinder head	1	1				
025	471	Shaft, bearing, roller	1	1	170	3577	Spring, compression	1	1				
030	3363	Retaining ring	2	2	175	6835	Valve assy., throttle	1	1				
035	413	Dowel pin	1	1	180	6298	. Valve, throttle	1	1				
040	455	Spring, return, jaw	1	1	185	566	. O-ring	1	1				
045	795	Lever assy., valve, throttle	1	1	190	2436	Swivel, air inlet	1	1				
050	572	Spacer	1	1	195	552	. Elbow, 90 degree	1	1				
055	944	Lever arm assy.	1	1	200	489	. Swivel nut, air inlet	1	1				
060	901	. Lever, arm, throttle	1	1	205	6313	. O-ring	1	1				
065	628	. Screw, slotted, fillister	1	1	210	490	. Swivel assy., air inlet	1	1				
070	200	Spring, return	1	1	215	1585	.. Swivel, air inlet	1	1				
080	410	Screw, hex hd cap	6	6	220	491	.. O-ring	1	1				
085	483	Gasket, cylinder head	1	1	250	16684	Bearing assy.	1	1				
090	462	Fork, shaft, piston	1	1	255	3502	. Shaft	1	1				
095	466	Screw, steel river c'sink hd	1	1	260	16560	. Bearing, needle	29	29				
100	465	Spacer	1	1	265	16558	. Bearing, roller	1	1				
105	464	Wedge	1		270	16559	. Bearing, roller	1	1				
105	8511	Wedge		1	275	470	Shaft	1	1				
110	438	Piston assy.	1	1	280	469	Bearing, roller	2	2				
115	463	Nut, elastic stop	1	1	285	472	Washer	4	4				
120	2748	Washer	1	1	290	626	Bearing, needle	40	40				
125	461	Plate, leather, cup	1	1	295	473	Guard	1	1				
130	460	Cup, leather	1	1	300	188	Screw	1	1				
135	468	Spring, compression	1	1	305	480	Bearing, roller	1	1				
140	467	Spring, compression	2	2	310	626	Bearing, needle	35	35				
145	6341	Cylinder head assy.	1	1	315	481	Washer	2	2				

