



ENFASCO INC

1675 Hylton Road • Pennsauken, NJ 08110

(856) 662-7660

Fax (856) 662-6172

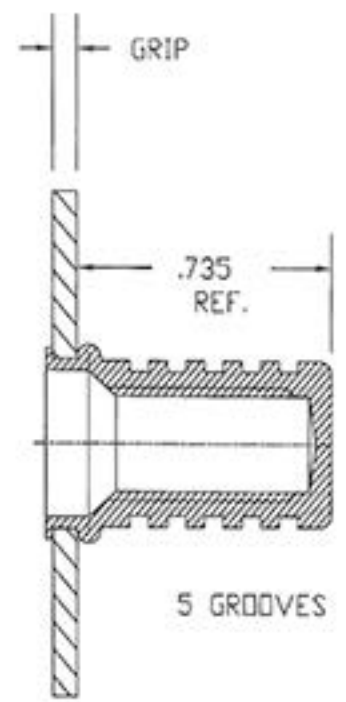
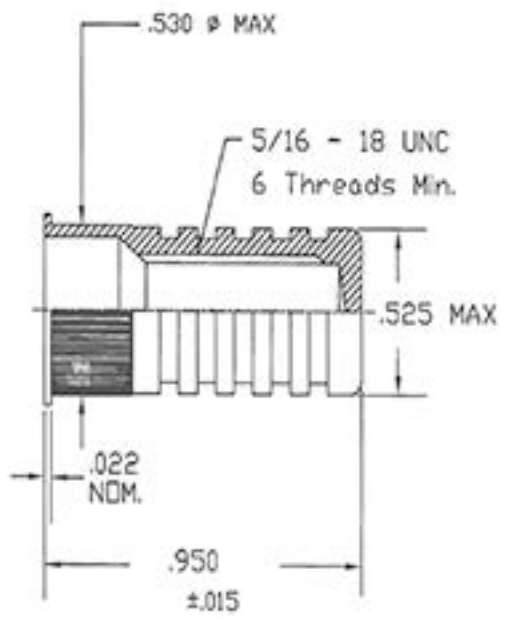
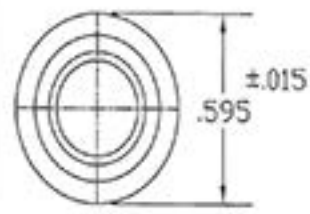
Email: sales@enfasco.com • Web Site: <http://www.enfasco.com>

ISO 9001:2008 & AS9100C Certified

17-1-6611 CROSS REFERENCES

PART #	THREAD SIZE	# OF GROOVES	VENDOR PART #	ATLAS PART #
17-1-6611-1	190-32UNF	4	AK515-1032	AE10103
17-1-6611-2	250-20UNC	4	AK515-420	AE10099
17-1-6611-3	250-28UNF	4	AK515-428	AE10096
17-1-6611-4	312-18UNC	3	AK515-518	AE10098
17-1-6611-5	312-24UNF	3	AK515-524	AE10100
17-1-6611-6	375-16UNC	3	AK515-616	AE10097
17-1-6611-7	375-24UNF	3	AK515-624	AE10901
17-1-6611-8	190-32UNF	4	S10-2717	AE10233
17-1-6611-9	190-32UNF	6	S10-2717-1	AE10202
17-1-6611-10	190-32UNF	8	S10-2717-2	AE10902
17-1-6611-11	250-20UNC	5	S25B2714-1	AE10106
17-1-6611-12	250-20UNC	6	S25B2714	AE10903
17-1-6611-13	250-28UNF	5	S2528B2714-1	AE10196
17-1-6611-14	250-20UNF	6	S2528B2717	AE10865
17-1-6611-15	375-16UNC	5	S37B2715	AE10101
17-1-6611-16	375-16UNC	4	S37B2972	AE10102
17-1-6611-17	375-24UNF	4	S3724-2716	AE10904
17-1-6611-18	375-24UNF	5	S3724B2715-1	AE10905
17-1-6611-19	375-24UNF	6	S3724B2715	AE10906
17-1-6611-20	375-24UNF	4	S3724B2972	AE10907
17-1-6611-21	.500-20UNF	4	S5020-2973	
17-1-6611-22	500-20UNF	5	S5020-2973-1	

APPROVED	11/26/02
	8/19/03
	3/4/04
	DJB 5/22/06
	SU 7/26/07
	SU 8/17/10
DESCRIPTION	
REV	
B	PLATING NOTE ADDED
C	ADDED 1018 MATERIAL AND MINIMUM THREAD NOTE
D	UPDATED MATERIAL TYPE, THREAD MIN. & HEAD DIA
E	ADDED KNURL DIAMETER
F	.950 ±.015 MAX. .955 ±.015
G	REMOVED DB THREAD



MATERIAL : C1010, 1008, OR 1018
 GRIP RANGE: .015 - .110
 INSTALLATION HOLE SIZE: .531 - .537
 FINISH: CADMIUM PLATE PER SAE
 AMS-QQ-P-416 CLASS 2, TYPE II

UNLESS OTHERWISE SPECIFIED, DIMENSIONS ARE IN INCHES
 TOLERANCES ON
 FRACTIONS DECIMALS ANGLES

DRAWN BY
 LMH 5/21/04

ATLAS ENGINEERING INC.

THIS DRAWING AND THE INFORMATION HEREIN ARE THE PROPERTY OF ATLAS ENGINEERING, INC. REPRODUCTION OR DISCLOSURE OF ANY PART OF THIS DRAWING OR THE INFORMATION HEREIN AND THE USE THEREOF FOR MAKING OTHER DRAWINGS OR FOR MAKING ANY PARTS THEREFROM ARE PROHIBITED WITHOUT PRIOR SPECIFIC WRITTEN CONSENT OF ATLAS ENGINEERING, INC.

APPROVED BY
 DJB 5/22/06

PART NO. AE10197

SCALE NONE

DWG NO. AECD10197