



Recognized as the Innovative Leader in
**INDUSTRIAL GRADE
ERGONOMIC SEATING**
for Over 15 Years

MODEL 112



TASKMASTER

Adjust the back rest and slide into position. This product is highly mobile on a variety of surfaces.

MODEL 107



LOWMASTER

With a contoured seat and fully articulating back, the lowmaster provides proper back, shoulder, neck and head support throughout its full 80° range of motion.

MODEL 106



CHAIRMASTER

Stable, mobile and adjustable, the 106 allows for efficient and comfortable task performance.

MODEL 115



SIT STAND

Designed to provide lower back relief where prolonged standing is required

MODEL 117



THE RANGER

Designed at the request of our larger customers who desired a safe work station with a wide range of adjustability for use in demanding manufacturing and maintenance environments.

MODEL 103



WORKMASTER

Designed for working in a variety of difficult access work areas. Ideal for maintenance, inspection or production environments. It puts you at the right angle!

MODEL 110



WELDMASTER

Designed specifically to provide ground level access to welding, grinding, and general mechanical applications.

MODEL 109



BATWING

The 109 is the leading edge in low profile work access support equipment.

Eidos Products Deliver Meaningful Gains...

- **Productivity**
- **Quality**
- **Occupational Health & Safety**
- **Working Conditions**

Improving Total Job Performance!

How Productivity is Improved:

Proper body support alleviates fatigue in back, legs and other supporting muscle groups substantially reducing the number of *discomfort triggered work interruptions*. A greater percentage of time is made available for *value added work*.

How Quality is Improved:

A stable base and rested supporting muscle groups allow workers to focus with less mental and physical distraction. Value added functions are repeated with greater accuracy and less rework.

How Health & Safety is Impacted:

The majority of non-traumatic work comp claims involve supporting muscle groups and joints. Backs, necks, shoulders and knees for example. Proper body support abates the principal risk factor, *static loading*, associated with this common class of industrial injury.

How Working Conditions are Impacted:

Eidos industrial seating provides workers with comfort and greater physical control over their work. Less frustration - less aches & pain - improved morale.

Eidos Industrial Seating offers a Win-Win solution for your company and workers.



MODEL 103 - WORKMASTER:

The tilting seat with articulating back, shoulder, neck and head support allows users to safely and quickly orient themselves to the work surface.



MODEL 106 - CHAIRMASTER:

Simply, the ChairMaster is the toughest and most stable work seat available..



MODEL 115 - SIT STAND:

You might as well be leaning on the rock of Gibraltar! Tilting swivel seat floats or locks solid as required. Contoured seat and back support are fully adjustable.

Some Products Pictured With Optional Equipment



Model 101 Shopmaster



Seat Height Range	16" to 21"
Seat Diameter	14"
Ground Clearance	4"
Foot Print	16"
Weight	18 lbs.

- Molded Polyurethane Seat
- 14 Gauge Steel Powder Coated Tool Tray
- (5) H.D. 3" Ball Bearing Casters (2 Locking)
- Retractable Gas Spring Dust Shield

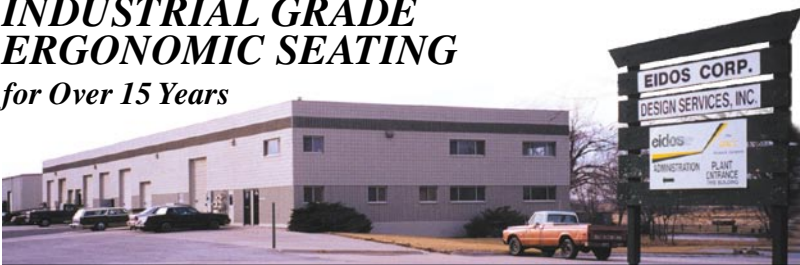
Model 102 Benchmaster

Seat Height Range	21" to 31"
Seat Width	16"
Foot Print	24"
Foot Ring	18"
Weight	24 lbs.

- Molded Polyurethane Seat and Back Rest
- Adjustable Height Back Rest With 30° Tilt Range (Free Float or Lock In Place)
- Adjustable Height (5" Range) Aluminum Foot Ring
- (5) H.D. Gliders for Ease of Movement
- Now Available with Arm Rests



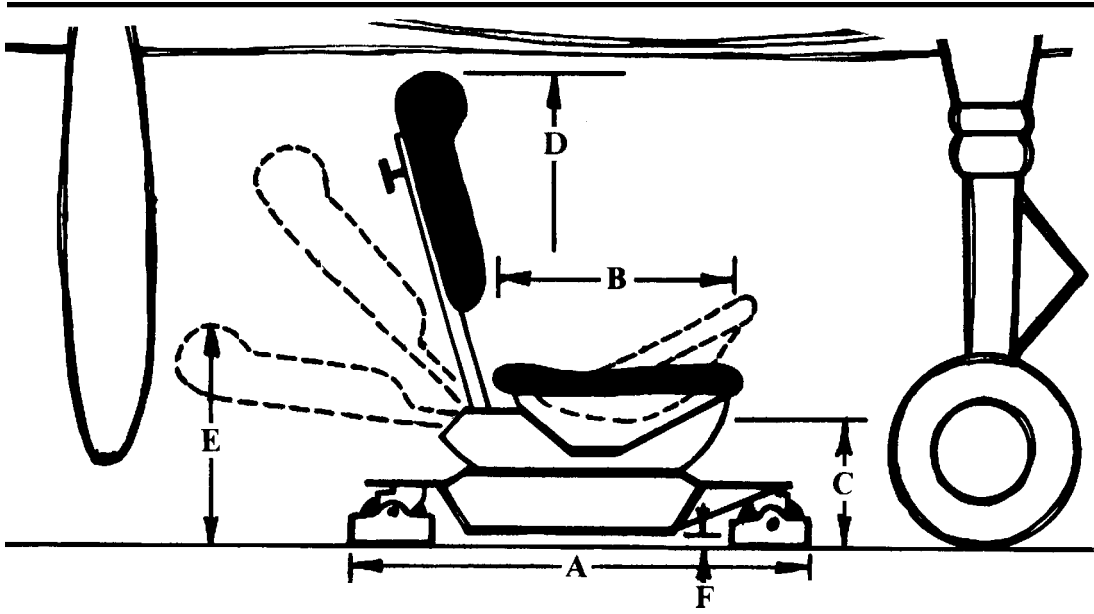
Recognized as the Innovative Leader in
**INDUSTRIAL GRADE
ERGONOMIC SEATING**
for Over 15 Years



Eidos Corporation

4755 N. 48th St., P.O. Box 29666 Lincoln, NE 68529-0666

Telephone: (402) 466-1119 • FAX: (402) 466-2023 • 1-800-210-9666



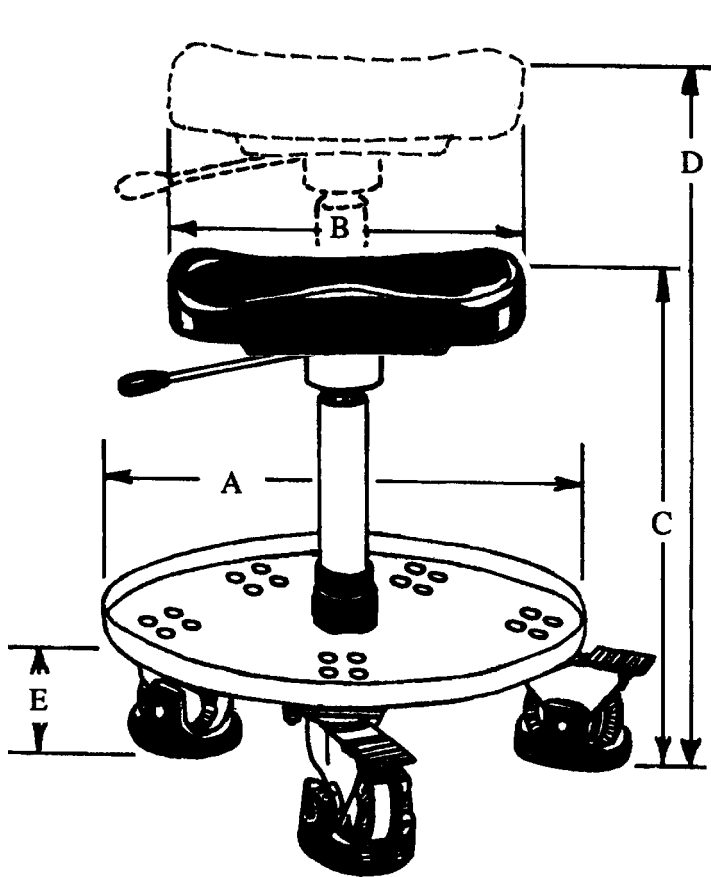
Model 103 WorkMaster

NSN 4910-01-344-5762

A	Foot Print	28½"Lx18"W
B	Seat	21"Lx19½"W
C	Seat Height (bottom)	10"
D	Back Height (upright)	33"
E	Back Height (fully reclined)	14½"
F	Ground Clearance	1"

The WorkMaster industrial positioner is designed for years of heavy-duty service. It is constructed using only top quality materials. All heavy wear parts are replaceable--seat, casters, brake and gas cylinder.

- 12 Gauge Steel Construction
- Baked on Epoxy Powder Coat
- Durable, Injection Molded Seat
- Heavy Duty Casters
- Gas Cylinder
- Heavy Duty Hand Brake
- Optional Caster Guards



Model 106 ChairMaster

NSN 4910-01-395-4251

Enhance your 106 industrial seat with optional back support and caster guards.

The ChairMaster is designed for heavy use in the most demanding industrial settings.

It's durable construction features only top quality materials. All heavy wear parts are replaceable--seat, casters and gas cylinder.

- 12 Gauge Steel Tool Tray
- Baked on Epoxy Powder Coating
- Comfortable yet durable Injection Molded Seat
- Five Heavy Duty Casters (Two with Locks) resist penetration by metal filings

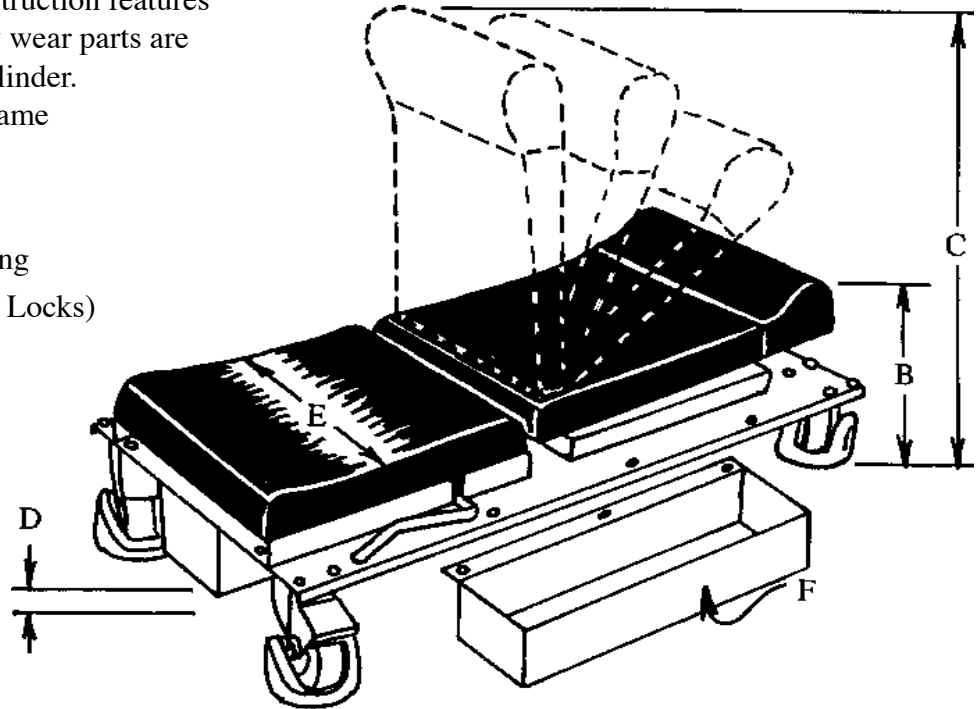
A	Foot Print (Tool Tray)	20"
B	Seat	13"
C	Seat (Lowest Extension)	16"
D	Seat (Highest Extension)	27"
E	Ground Clearance	3"

Model 107 LowMaster

NSN4910-01-394-9665

The LowMaster positioner is designed for heavy use in the most demanding industrial environments. It keeps a fully contoured position relative to head & neck throughout its range of motion. Its durable construction features only top quality materials. All heavy wear parts are replaceable--seat, casters and gas cylinder.

- 12 Gauge Steel Rectangular Frame
- Optional Steel Tool Tray,
(mounts on either or both sides)
- Baked on Epoxy Powder Coating
- Heavy Duty Casters (Two with Locks)
- Comfortable yet durable
Injection Molded Seat



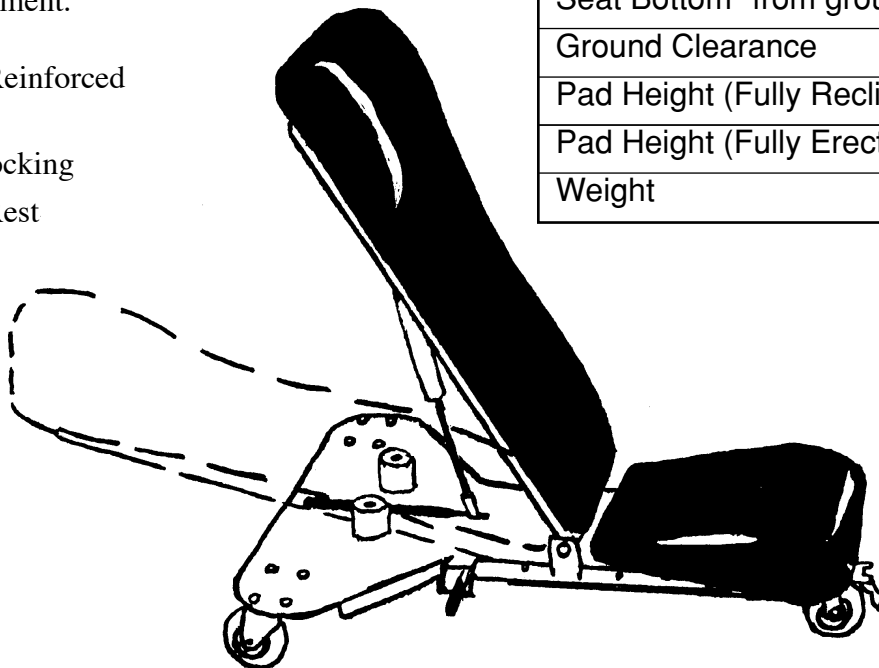
A	Foot Print (base)	36"Lx19"W
B	Pad Height (fully reclined)	8 1/2"
C	Pad Height (fully erect)	32"
D	Ground Clearance	1"
E	Seat Cushion Width	14 1/2"
F	Optional Tool Tray	4"Dx6"Wx20"L

Model 109 BatWing

Recipient of several ergonomic design and function awards, the BatWing truly represents the leading edge in low profile work access support equipment.

- 10 Gauge Heavy Duty Reinforced Steel Construction
- Three 3 1/2" Casters, 1 Locking
- Fully Adjustable Back Rest
- Leather Seat and Back
- Optional Tool Boxes
- Optional Caster Guards

Width (Base)	23 1/2"
Width (Seat)	13"
Range of Motion (Back)	60°
Seat Bottom "from ground"	7 1/2"
Ground Clearance	1 1/2"
Pad Height (Fully Reclined)	11 1/2"
Pad Height (Fully Erect)	33"
Weight	44 lbs.



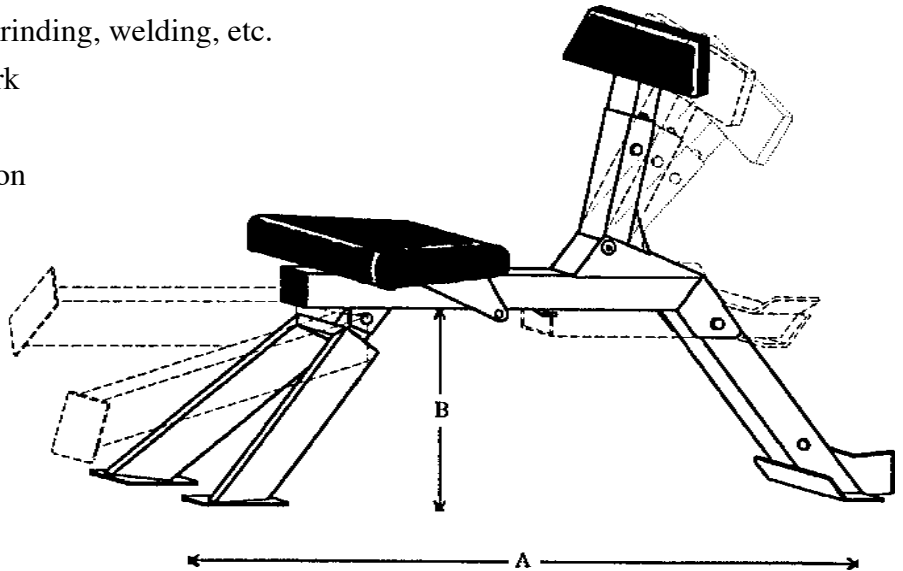
The WeldMaster is rugged and versatile, featuring three utility configurations:

1. Front leg up, back legs up allows positioning at ground level.
2. Front leg up, back legs down allows for straddling railroad tracks, steel frames, etc.
3. Front leg down, back legs down allows the WeldMaster to be used as a free standing chair for assembly, grinding, welding, etc.

The Model 110 is ideal for all types of work at or near ground level.

- Heavy-duty Tubular Steel Construction
- Genuine Leather Upholstering
- High Quality Powder Coating

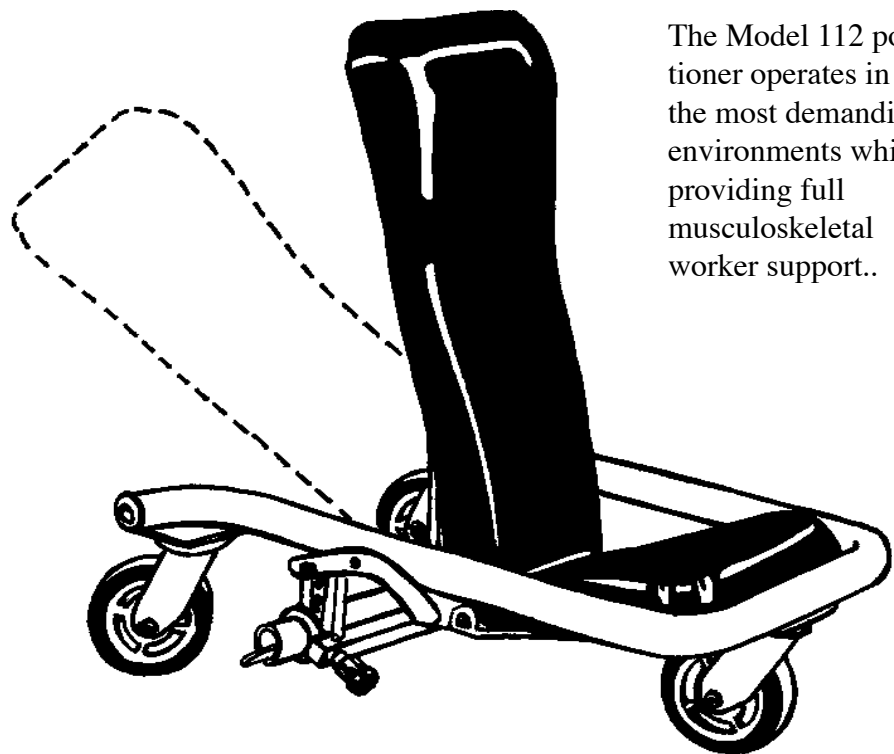
A	Length	32"
B	Ground Clearance	11"
C	Net Weight	32#



Pad Height (erect)	37 ¹ / ₂ "
Pad Height (reclined)	16 ¹ / ₂ "
Ground Clearance	8"
Width	29 ¹ / ₄ "
Length	27 ¹ / ₂ "

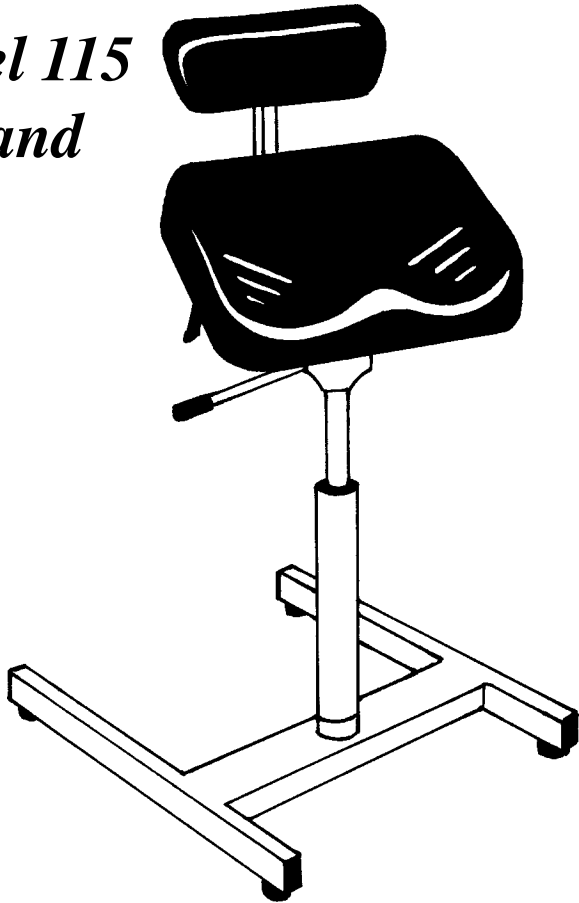
Model 112 TaskMaster

- Heavy-duty Tubular Steel Construction
- Genuine Leather Upholstery
- Sturdy Hand Brake
- Tough, Large Gas Spring
- Baked on Epoxy Powder Coating
- Three available wheel configurations to fit specific height and surface applications
- Optional Tool Trays



The Model 112 positioner operates in the most demanding environments while providing full musculoskeletal worker support..

Model 115 SitStand



The Eidos SitStand is designed and built to be a fixture in the most demanding industrial setting. Ergonomic design and heavy duty construction provide a fully functional support work station that you can count on for many years of reliable service

Seat Tilt	Flat to 45°
Seat Swivel	180°
Seat	15½" x 12"
Seat Height	24" to 36"
Base	25" x 21"

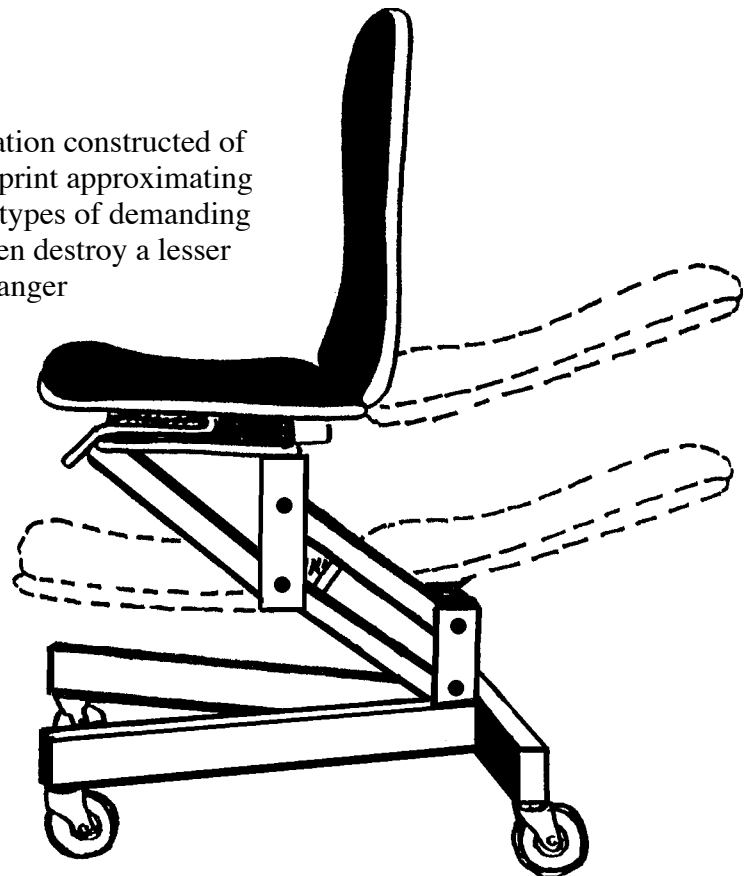
- Heavy gauge steel construction
- Comfortable, durable, injection molded seats
- Baked on epoxy powder coatings
- Wide range of adjustability to increase productivity
- Optional articulating backrest

Model 117 Ranger

The Ranger from Eidos - - - a fully adjustable work station constructed of steel for years of tough industrial service. With a foot-print approximating that of an office chair, the Ranger is well suited to the types of demanding manufacturing and maintenance environments that often destroy a lesser product in short order. Not just a better idea - - - the Ranger was designed at the request of several Fortune 100 manufacturers who desired a safe work station, with adjustable range of working height, comfort and durability, all in a cost effective package.

Seat Back Tilt Range	85°
Seat Dimensions	17" x 20"
Base Length	31"
Base Width	26"
Seat Height Range	18" to 30"

- Optional arm rest
- Optional foot rests
- Optional tool box
- Optional Gas Spring Assisted Back





MODEL 107 - LOWMASTER:

Navigate around low slung obstacles requiring frequent repositioning of angle on back while offering total body support.



MODEL 112 - TASKMASTER:

When tough and practical is all you need from a heavy duty yet easy to maneuver work positioner.



MODEL 109 - BATWING:

The BatWing truly represents the leading edge in low profile work access support equipment.



MODEL 110 WELDMASTER:

The WeldMaster allows work to be performed safely at or near ground level. The 110 also makes a unique all weather seat for any application.



**MODEL 117 -
The RANGER:**

This fully adjustable work station is constructed of steel for years of industrial service. With a footprint about the size of an office chair, the Ranger is well suited to demanding environments that destroy lesser products in short order.

Accessories and Options



Available contoured seat and custom standpipes allow the Model 106 to meet all requirements.

Optional gas spring assisted back provides ease of adjustment with the toughness of leather covered seat and back.



Available tool boxes and caster guards enhance Model 107 performance.

With a variety of casters available, the Model 112 can be fit for specific working heights and surface conditions.

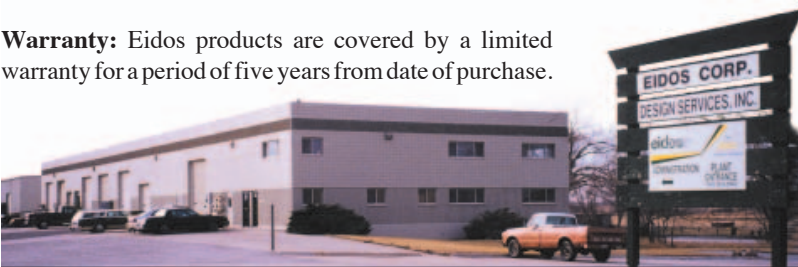


The Model 103 can be fitted to a variety of working heights with the Extension Adapter Kit.

With over 15 years experience, Eidos prides itself in spare parts service on a 24 hour availability basis.



Warranty: Eidos products are covered by a limited warranty for a period of five years from date of purchase.



eidos

Eidos Corporation

www.eidosergonomics.com

4755 N. 48th St., P.O. Box 29666 Lincoln, NE 68529-0666
Telephone: (402) 466-1119 • FAX: (402) 466-2023 • 1-800-210-9666