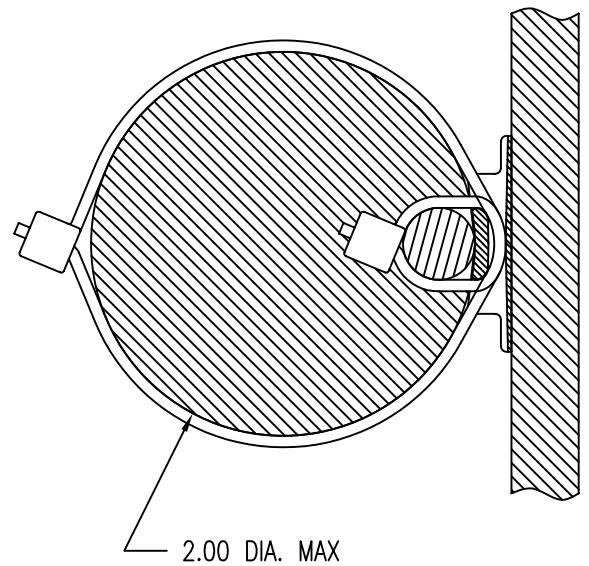
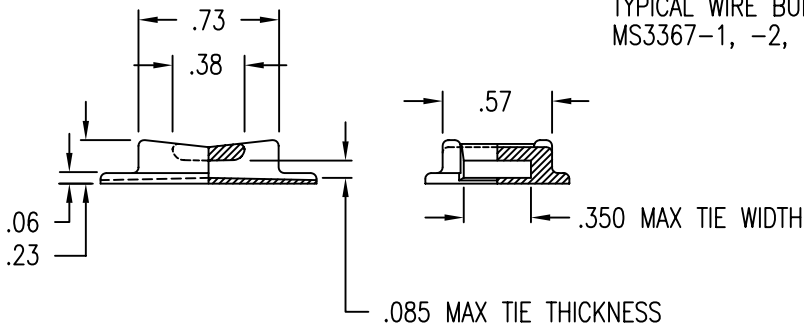


MOUNT ATTACHED BY MEANS OF ADHESIVE APPLIED TO THIS SURFACE.

DISPOSABLE PRESSURE SENSITIVE ADHESIVE FIXTURE HOLDS MOUNT WHILE ADHESIVE CURES.

TYPICAL WIRE BUNDLE MOUNTING FOR USE WITH MS3367-1, -2, -3, -4, -5, -6, AND -7 CABLE TIE STRAPS.



MATERIAL DATA

CODE	MATERIAL SPEC	FINISH
V	GLASS/THERMOPLASTIC, 350°F	ABRASIVE CLEAN

PART WEIGHT: .37 LBS/100

EXAMPLE PART NUMBER

CB9151 V 5

REFERENCE SIZE
MATERIAL - GLASS/THERMOPLASTIC, 350°F
BASIC PART NUMBER

UNLESS OTHERWISE SPECIFIED, ALL DIMENSIONS ARE IN INCHES AND TOLERANCES ARE AS SHOWN BELOW. DIMENSIONAL TOLERANCES AND SYMBOLS PER ANSI Y14.5M-1982.

PROPRIETARY PARTS SHOWN IN THIS DRAWING ARE THE SUBJECT OF ISSUED UNITED STATES AND FOREIGN PATENTS AND PATENTS PENDING. UNAUTHORIZED REPRODUCTION AND/OR DISTRIBUTION OF THIS DRAWING IS SPECIFICALLY PROHIBITED.

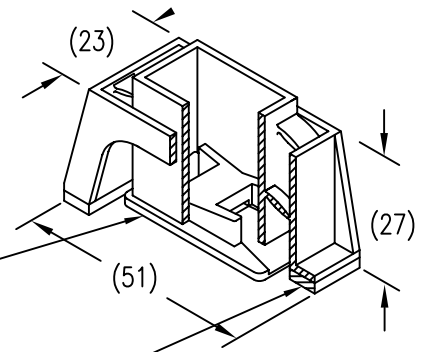
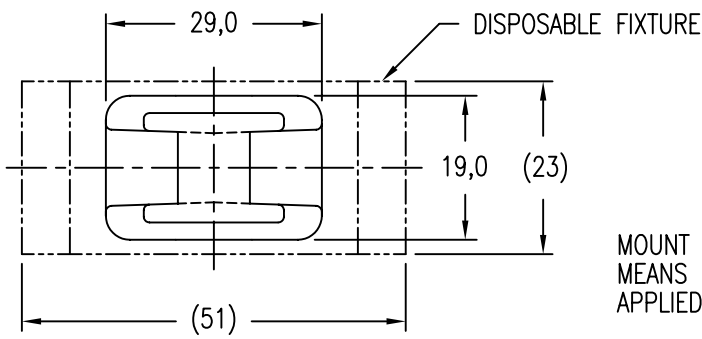
GLICK BOND

CARSON CITY
NEVADA 89706

CAD CB9151-1

APPROVALS		DATE
DRAWN	DAC	20JUN98
CHECKED	DAC	20JUN98
RELEASED	CGH	20JUN98
REVISED	DAC	20JUN98

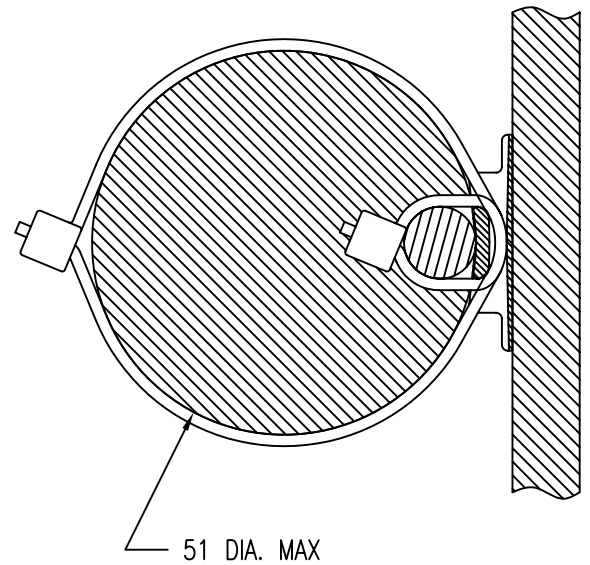
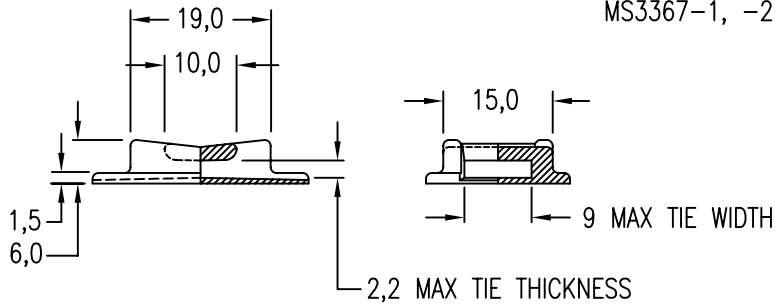
TITLE			
MOUNT, CABLE TIE ANCHOR, TRANSVERSE BASE			
SIZE	CAGE CODE	DWG. NO.	REV.
A	66530	CB9151	1
SCALE	1/1		20JUN98
SHEET 1 OF 2			



MOUNT ATTACHED BY MEANS OF ADHESIVE APPLIED TO THIS SURFACE.

DISPOSABLE PRESSURE SENSITIVE ADHESIVE FIXTURE HOLDS MOUNT WHILE ADHESIVE CURES.

TYPICAL WIRE BUNDLE MOUNTING FOR USE WITH MS3367-1, -2, -3, -4, -5, -6, AND -7 CABLE TIE STRAPS.



MATERIAL DATA

CODE	MATERIAL SPEC	FINISH
V	GLASS/THERMOPLASTIC, 177°C	ABRASIVE CLEAN

PART WEIGHT: 1,7 GRAMS

EXAMPLE PART NUMBER

CB9151 V 5

REFERENCE SIZE
MATERIAL - GLASS/THERMOPLASTIC, 177°C
BASIC PART NUMBER

UNLESS OTHERWISE SPECIFIED, ALL DIMENSIONS ARE IN MILLIMETERS AND TOLERANCES ARE AS SHOWN BELOW. DIMENSIONAL TOLERANCES AND SYMBOLS PER ANSI Y14.5M-1982.

PROPRIETARY PARTS SHOWN IN THIS DRAWING ARE THE SUBJECT OF ISSUED UNITED STATES AND FOREIGN PATENTS AND PATENTS PENDING. UNAUTHORIZED REPRODUCTION AND/OR DISTRIBUTION OF THIS DRAWING IS SPECIFICALLY PROHIBITED.

GLICK BOND

CARSON CITY
NEVADA 89706

CAD CB9151-2 METRIC DIMENSIONS	
ANGLES	±1°
.X	±0,8
.XX	±0,25

APPROVALS		DATE
DRAWN	DAC	20JUN98
CHECKED	DAC	20JUN98
RELEASED	CGH	20JUN98
REVISED	DAC	20JUN98

TITLE MOUNT, CABLE TIE ANCHOR, TRANSVERSE BASE			
SIZE	CAGE CODE	DWG. NO.	REV.
A	66530	CB9151 (METRIC)	1
SCALE	1/1 20JUN98		SHEET 2 OF 2