

NUTPLATE MEETS THE STRENGTH AND REUSABILITY REQUIREMENTS OF NASM25027.

THREAD AND DIMENSION DATA (ALL DIMENSIONS BEFORE PAINT)

PART NUMBER	THREAD SIZE	A MAX	B MAX	C MAX	D MIN	F MAX	H MAX	R MIN	M MIN	COLOR CODE
CB6010 ( ) 08-2	.1640-32 UNJC-3B	.995	.580	.687	.204	.800	.325	.125	.168	NONE
CB6010 ( ) 3-2	.1900-32 UNJF-3B	.995	.580	.687	.230	.800	.320	.125	.194	NONE
CB6010 ( ) 3-3							.383	.187		RED
CB6010 ( ) 3-4							.445	.250		GREEN
CB6010 ( ) 3-5							.508	.312		BLACK
CB6010 ( ) 3-6				.937			.570	.375		BLUE
CB6010 ( ) 3-7							.633	.437		ORANGE
CB6010 ( ) 3-8							.695	.500		PURPLE
CB6010 ( ) 4-2							.2500-28 UNJF-3B	1.100		.725
CB6010 ( ) 4-3	.428	.187	RED							
CB6010 ( ) 4-4	.490	.250	GREEN							
CB6010 ( ) 4-5	1.025	.553	.312	BLACK						
CB6010 ( ) 4-6		.615	.375	BLUE						
CB6010 ( ) 4-7		.678	.437	ORANGE						
CB6010 ( ) 4-8		.740	.500	PURPLE						
CB6010 ( ) 5-2	.3125-24 UNJF-3B	1.200	.807	.825	.353	1.050			.406	
CB6010 ( ) 5-3							.462	.187	RED	
CB6010 ( ) 5-4							.524	.250	GREEN	
CB6010 ( ) 5-5							1.075	.586	.312	BLACK
CB6010 ( ) 5-6				.649				.375	BLUE	
CB6010 ( ) 5-7				.711				.437	ORANGE	
CB6010 ( ) 5-8				.774				.500	PURPLE	
CB6010 ( ) 6-2				.3750-24 UNJF-3B			1.45	.99	.95	.415
CB6010 ( ) 7-2	.4375-20 UNJF-3B	1.69	1.11	1.10	.478	1.47	.560	.125	.441	NONE
CB6010 ( ) 8-2	.5000-20 UNJF-3B	1.95	1.24	1.15	.540	1.70	.640	.125	.504	NONE

UNLESS OTHERWISE SPECIFIED, ALL DIMENSIONS ARE IN INCHES AND TOLERANCES ARE AS SHOWN BELOW. DIMENSIONAL TOLERANCES AND SYMBOLS PER ANSI Y14.5M-1982.

THE PARTS SHOWN IN THIS DRAWING ARE PROPRIETARY AND MAY BE THE SUBJECT OF ISSUED UNITED STATES AND FOREIGN PATENTS AND PATENTS PENDING. UNAUTHORIZED REPRODUCTION AND/OR DISTRIBUTION OF THIS DRAWING IS SPECIFICALLY PROHIBITED.

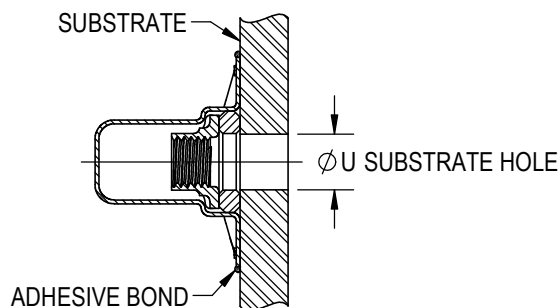


2151 LOCKHEED WAY  
CARSON CITY, NEVADA 89706

		APPROVALS	DATE
ANGLES	±1°	DRAWN <b>GTP</b>	1MAY20
.XX	±.03	CHECKED <i>DO Carter</i>	1MAY20
.XXX	±.010	RELEASED JLH	1MAY20
.XXXX	±.001	REVISED <b>GTP</b>	1MAY20

TITLE  
**NUTPLATE, FLOATING, SEALED**

SIZE	CAGE CODE	DWG. NO.	REV.
<b>A</b>	<b>66530</b>	<b>CB6010</b>	<b>8</b>
SCALE: 1:1		1MAY20	SHEET 1 OF 4



**NUT MATERIAL AND FINISH DATA**

CODE	MATERIAL	SPEC.	FINISH	SPEC.	DRI-FILM LUBE
-	A-286 CRES	AMS 5525, 5726, 5731, 5732, 5737	PASSIVATE	AMS 2700 METHOD 1, TYPE 8	AS5272 TYPE I OR II
CRC			CAD PLATE	AMS-QQ-P-416 TY II, CL 2	

**DOMe MATERIAL AND FINISH DATA**

CODE	MATERIAL	SPEC.	PASSIVATE
CR	A-286 CRES	AMS 5525, 5726, 5731, 5732, 5737	AMS 2700 METHOD 1, TYPE 8
ACR			

**WASHER MATERIAL AND FINISH DATA**

CODE	MATERIAL	SPEC.	FINISH	SPEC.
CR	A-286 CRES	AMS 5726, 5731, 5732, 5737	PASSIVATE	AMS 2700 METHOD 1, TYPE 8
ACR	2024 OR 6061 ALUMINUM	AMS-QQ-A-200 OR AMS-QQ-A-225	ANODIZE	MIL-A-8625 TYPE I, CLASS 1 - DO NOT SEAL

**OPTIONAL PRIMER**

CODE	MATERIAL SPEC.
P	MIL-PRF-85582

**OPTIONAL TOPCOAT**

CODE	MATERIAL SPEC.
F	AMS-C-27725 TYPE 2 YELLOW

**INSTALLATION HOLE SIZE**

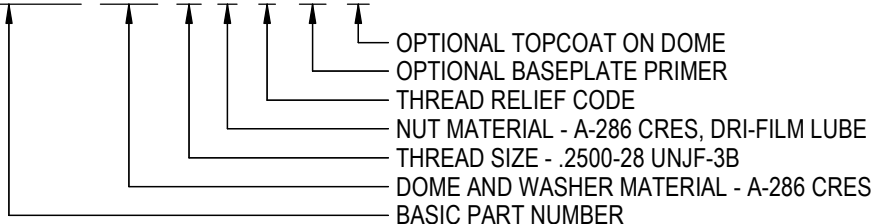
SIZE	Ø U
08	.164 - .204
3	.190 - .230
4	.250 - .290
5	.312 - .353
6	.375 - .415
7	.437 - .478
8	.500 - .540

**PART NUMBER SUFFIXES**

CODE	DESCRIPTION
NL	NON-LOCKING NUT ELEMENT
R	THREAD LOCK MEETS NASM25027 REUSE REQUIREMENTS FOR 50 REUSE CYCLES

**EXAMPLE PART NUMBER**

**CB6010 CR 4 - 2 P F**



UNLESS OTHERWISE SPECIFIED, ALL DIMENSIONS ARE IN INCHES AND TOLERANCES ARE AS SHOWN BELOW. DIMENSIONAL TOLERANCES AND SYMBOLS PER ANSI Y14.5M-1982.

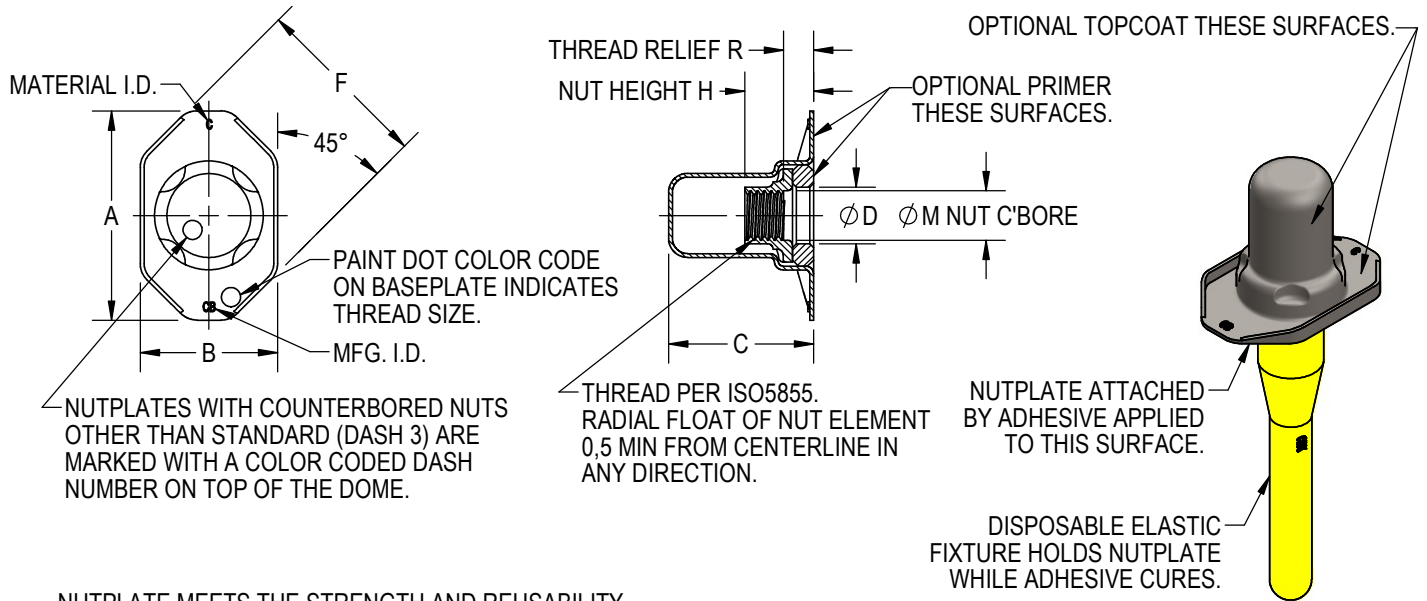


2151 LOCKHEED WAY  
CARSON CITY, NEVADA 89706

TITLE  
**NUTPLATE, FLOATING, SEALED**

ANGLES	±1°
.XX	±.03
.XXX	±.010
.XXXX	±.001

SIZE	CAGE CODE	DWG. NO.	REV.
A	66530	CB6010	8
SCALE: 1:1		1MAY20	SHEET 2 OF 4



NUTPLATE MEETS THE STRENGTH AND REUSABILITY REQUIREMENTS OF ISO5858 (900 MPa).

THREAD AND DIMENSION DATA (ALL DIMENSIONS BEFORE PAINT)

PART NUMBER	THREAD SIZE	A MAX	B MAX	C MAX	D MIN	F MAX	H MAX	R MIN	M MIN	COLOR CODE	
										THREAD	C'BORE
CB6010 ( ) 4M 3	MJ4 X 0,7 4H6H	25,3	14,8	17,5	5,0	20,4	7,0	3,0	4,1	GREEN	NONE
CB6010 ( ) 5M 3	MJ5 X 0,8 4H6H	25,3	14,8	17,5	6,0	20,4	8,0	3,0	5,1	BLUE	NONE
CB6010 ( ) 5M 4							8,0	4,0			RED
CB6010 ( ) 5M 6				10,0			6,0	GREEN			
CB6010 ( ) 5M 8				12,0			8,0	BLACK			
CB6010 ( ) 5M 10				14,0			10,0	BLUE			
CB6010 ( ) 6M 3	MJ6 X 1,0 4H5H	28,0	18,5	19,5	7,0	24,2	9,0	3,0	6,1	ORANGE	NONE
CB6010 ( ) 6M 4							9,0	4,0			RED
CB6010 ( ) 6M 6				11,0			6,0	GREEN			
CB6010 ( ) 6M 8				13,0			8,0	BLACK			
CB6010 ( ) 6M 10				15,0			10,0	BLUE			
CB6010 ( ) 8M 3	MJ8 X 1,0 4H5H	30,5	20,5	21,0	9,0	26,7	11,0	3,0	8,1	PURPLE	NONE
CB6010 ( ) 8M 4							11,0	4,0			RED
CB6010 ( ) 8M 6				13,0			6,0	GREEN			
CB6010 ( ) 8M 8				15,0			8,0	BLACK			
CB6010 ( ) 8M 10				17,0			10,0	BLUE			

UNLESS OTHERWISE SPECIFIED, ALL DIMENSIONS ARE IN MILLIMETERS AND TOLERANCES ARE AS SHOWN BELOW. DIMENSIONAL TOLERANCES AND SYMBOLS PER ANSI Y14.5M-1982.



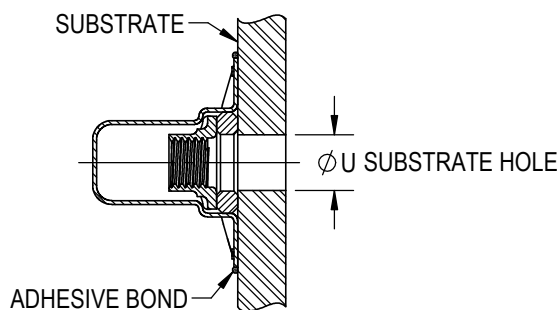
2151 LOCKHEED WAY  
CARSON CITY, NEVADA 89706

METRIC DIMENSIONS

TITLE  
**NUTPLATE, FLOATING, SEALED**

ANGLES	±1°	SIZE	CAGE CODE	DWG. NO.	REV.
X	±0,8	A	66530	CB6010 (METRIC)	8
.XX	±0,25	SCALE: 1:1		1MAY20	SHEET 3 OF 4

SIZE	CAGE CODE	DWG. NO.	REV.
A	66530	CB6010 (METRIC)	8
SCALE: 1:1		1MAY20	SHEET 3 OF 4



**NUT MATERIAL AND FINISH DATA**

CODE	MATERIAL	SPEC.	FINISH	SPEC.	DRI-FILM LUBE
NONE	A-286 CRES	AMS 5525, 5726, 5731, 5732, 5737	PASSIVATE	AMS 2700 METHOD 1, TYPE 8	AS5272 TYPE I OR II
CRC			CAD PLATE	AMS-QQ-P-416 TY II, CL 2	

**DOME MATERIAL AND FINISH DATA**

CODE	MATERIAL	SPEC.	PASSIVATE
CR	A-286 CRES	AMS 5525, 5726, 5731, 5732, 5737	AMS 2700 METHOD 1, TYPE 8
ACR			

**WASHER MATERIAL AND FINISH DATA**

CODE	MATERIAL	SPEC.	FINISH	SPEC.
CR	A-286 CRES	AMS 5726, 5731, 5732, 5737	PASSIVATE	AMS 2700 METHOD 1, TYPE 8
ACR	2024 OR 6061 ALUMINUM	AMS-QQ-A-200 OR AMS-QQ-A-225	ANODIZE	MIL-A-8625 TYPE I, CLASS 1 - DO NOT SEAL

**OPTIONAL PRIMER**

CODE	MATERIAL SPEC.
P	MIL-PRF-85582

**OPTIONAL TOPCOAT**

CODE	MATERIAL SPEC.
F	AMS-C-27725 TYPE 2 YELLOW

**INSTALLATION HOLE SIZE**

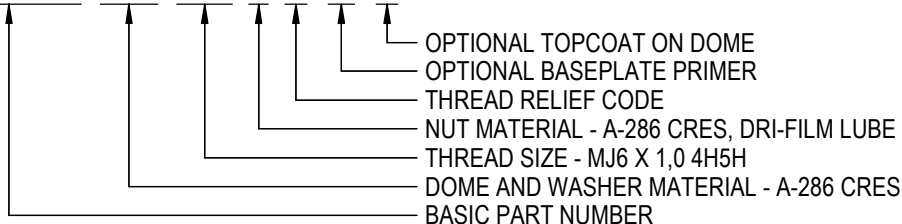
SIZE	Ø U
4M	4,0 - 5,0
5M	5,0 - 6,0
6M	6,0 - 7,0
8M	8,0 - 9,0

**PART NUMBER SUFFIXES**

CODE	DESCRIPTION
NL	NON-LOCKING NUT ELEMENT
R	THREAD LOCK MEETS ISO5858 REUSE REQUIREMENTS FOR 50 REUSE CYCLES

**EXAMPLE PART NUMBER**

**CB6010 CR 6M 3 P F**



UNLESS OTHERWISE SPECIFIED, ALL DIMENSIONS ARE IN MILLIMETERS AND TOLERANCES ARE AS SHOWN BELOW. DIMENSIONAL TOLERANCES AND SYMBOLS PER ANSI Y14.5M-1982.



2151 LOCKHEED WAY  
CARSON CITY, NEVADA 89706

METRIC DIMENSIONS

TITLE  
**NUTPLATE, FLOATING, SEALED**

ANGLES	±1°	SIZE	CAGE CODE	DWG. NO.	REV.
X	±0,8	A	66530	CB6010 (METRIC)	8
.XX	±0,25	SCALE: 1:1		1MAY20	SHEET 4 OF 4