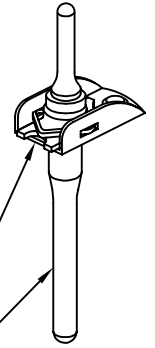


NUTPLATE MEETS THE STRENGTH REQUIREMENTS OF MIL-N-25027.

NUTPLATE ATTACHED BY MEANS OF ADHESIVE APPLIED TO THIS SURFACE  
DISPOSABLE ELASTIC FIXTURE HOLDS NUTPLATE WHILE ADHESIVE CURES



NOTE: ALL DIMENSIONS BEFORE PAINT.

PART NUMBER	THREAD T	A MAX	B MAX	D MIN	E MAX	H MAX	R MIN
CB6007 ( ) 08 ( ) 1	.1640-32 UNJC-3B	.652	.454	.224	.187	.250	.070
CB6007 ( ) 3 ( ) 1	.1900-32 UNJF-3B	.652	.454	.250	.187	.250	.070
CB6007 ( ) 3 ( ) 2						.312	.125
CB6007 ( ) 3 ( ) 3						.375	.188
CB6007 ( ) 3 ( ) 4						.438	.250
CB6007 ( ) 3 ( ) 5						.502	.313
CB6007 ( ) 3 ( ) 6						.564	.375
CB6007 ( ) 4 ( ) 1	.2500-28 UNJF-3B	.810	.554	.312	.218	.295	.070
CB6007 ( ) 4 ( ) 2						.357	.125
CB6007 ( ) 4 ( ) 3						.419	.188
CB6007 ( ) 4 ( ) 4						.481	.250
CB6007 ( ) 4 ( ) 5						.543	.313
CB6007 ( ) 4 ( ) 6						.605	.375
CB6007 ( ) 5 ( ) 1	.3125-24 UNJF-3B	.912	.650	.375	.276	.338	.070
CB6007 ( ) 5 ( ) 2						.394	.125
CB6007 ( ) 5 ( ) 3						.455	.188
CB6007 ( ) 5 ( ) 4						.524	.250
CB6007 ( ) 5 ( ) 5						.586	.313
CB6007 ( ) 5 ( ) 6						.649	.375
CB6007 ( ) 6 ( ) 1	.3750-24 UNJF-3B	1.045	.750	.437	.317	.375	.070
CB6007 ( ) 6 ( ) 2						.425	.125
CB6007 ( ) 7 ( ) 1	.4375-20 UNJF-3B	1.192	.840	.500	.390	.500	.070
CB6007 ( ) 8 ( ) 1	.5000-20 UNJF-3B	1.290	.900	.562	.425	.580	.070

EXAMPLE PART NUMBER CB6007 CR 3 - 1 P

OPTIONAL PRIMER COATING ON BASEPLATE  
THREAD RELIEF R - .070 MIN  
NUT MATERIAL - A-286 CRES, NO PLATING  
THREAD T SIZE - .1900-32 UNJF-3B  
BASEPLATE MATERIAL - A-286 CRES  
BASIC PART NUMBER

UNLESS OTHERWISE SPECIFIED, ALL DIMENSIONS ARE IN INCHES AND TOLERANCES ARE AS SHOWN BELOW. DIMENSIONAL TOLERANCES AND SYMBOLS PER ANSI Y14.5M-1982.

PROPRIETARY PARTS SHOWN IN THIS DRAWING ARE THE SUBJECT OF ISSUED UNITED STATES AND FOREIGN PATENTS AND PATENTS PENDING. UNAUTHORIZED REPRODUCTION AND/OR DISTRIBUTION OF THIS DRAWING IS SPECIFICALLY PROHIBITED.

**GLICK BOND**

CARSON CITY  
NEVADA 89706

CAD CB6007-1

APPROVALS

DATE

TITLE

ANGLES ±1°

DRAWN

DAC

25FEB98

NUTPLATE, CORNER, BONDED

.XX ±.03

CHECKED

DAC

25FEB98

SIZE

CAGE CODE

DWG. NO.

REV.

.XXX ±.010

RELEASED

CGH

26FEB98

A

66530

CB6007

0

.XXXX ±.001

REVISED

SCALE 2/1

25FEB98

SHEET 1 OF 2

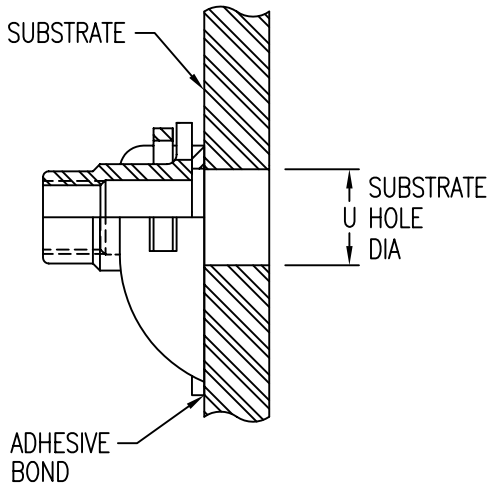


TABLE 2 INSTALLATION HOLE SIZE AND REPLACEMENT COMPONENT PART NUMBERS

THD SIZE CODE	U MAX	NUT PART NO *	CLIP PART NO
08	.224	CB6001( )08-1	CB6002-3
3	.250	CB6001( )3-( )	
4	.312	CB6001( )4-( )	CB6002-4
5	.375	CB6001( )5-( )	CB6002-5
6	.437	CB6001( )6-( )	CB6002-6
7	.500	CB6001( )7-( )	CB6002-7
8	.562	CB6001( )8-1	CB6002-8

\* FIRST ( ) - DESIGNATES NUT MATERIAL CODE.  
 CR = A-286 CRES, PASSIVATE, DRI-FILM LUBE.  
 CRC = A-286 CRES, CADMIUM PLATING, DRI-FILM LUBE.  
 CRS = A-286 CRES, SILVER PLATING.

SECOND ( ) - DESIGNATES NUTPLATE THREAD RELIEF CODE.

BASEPLATE MATERIAL AND FINISH DATA

CODE	MATERIAL	SPECIFICATION	FINISH	SPECIFICATION
A	ALUMINUM	QQ-A-250	NONE	
AA	ALUMINUM	QQ-A-250	ANODIZE	MIL-A-8625, TY 1
CR	A-286 CRES	AMS 5525	PASSIVATE	QQ-P-35

OPTIONAL PRIMER COATING ON BASEPLATE: EPOXY PRIMER PER MIL-P-85582.

NUT MATERIAL AND FINISH DATA

CODE	MATERIAL	FINISH	SPECIFICATION	DRI-FILM LUBE
-	A-286 CRES	PASSIVATE	QQ-P-35	MIL-L-46010 TY 1
CRC	A-286 CRES	CAD PLATE	QQ-P-416	MIL-L-46010 TY 1
CRS	A-286 CRES	SILVER PLATE	AMS 2410	NONE

MATERIAL & FINISH: NUT ELEMENT: SEE CB6001  
 CLIP: SEE CB6002

UNLESS OTHERWISE SPECIFIED, ALL DIMENSIONS ARE IN INCHES AND TOLERANCES ARE AS SHOWN BELOW. DIMENSIONAL TOLERANCES AND SYMBOLS PER ANSI Y14.5M-1982.

PROPRIETARY PARTS SHOWN IN THIS DRAWING ARE THE SUBJECT OF ISSUED UNITED STATES AND FOREIGN PATENTS AND PATENTS PENDING. UNAUTHORIZED REPRODUCTION AND/OR DISTRIBUTION OF THIS DRAWING IS SPECIFICALLY PROHIBITED.

**GLICK BOND**

CARSON CITY  
 NEVADA 89706

CAD CB6007-2		APPROVALS		DATE	TITLE			
ANGLES ±1°		DRAWN	DAC	25FEB98	NUTPLATE, CORNER, BONDED			
.XX	±.03	CHECKED	DAC	25FEB98	SIZE	CAGE CODE	DWG. NO.	REV.
.XXX	±.010	RELEASED	CGH	26FEB98	A	66530	CB6007	0
.XXXX	±.001	REVISED			SCALE	2/1	25FEB98	SHEET 2 OF 2