

MATERIAL AND FINISH DATA

| CODE | NUT MATERIAL | SPEC. | RETAINER MATERIAL | SPEC. | FINISH | SPEC. |
|------|--------------|----------|------------------------------|----------------------------|-----------|---------|
| CR | A-286 CRES | AMS 5525 | 17-7PH, A-286, 304, 305 CRES | AMS 5528, 5525, 5514, 5639 | PASSIVATE | QQ-P-35 |
| CRA | A-286 CRES | AMS 5525 | 17-7PH, A-286, 304, 305 CRES | AMS 5528, 5525, 5514, 5639 | PASSIVATE | QQ-P-35 |

THREAD T DATA AND DIMENSIONS

COUNTERBORE DATA - THD. RELIEF R AND NUT HEIGHT H

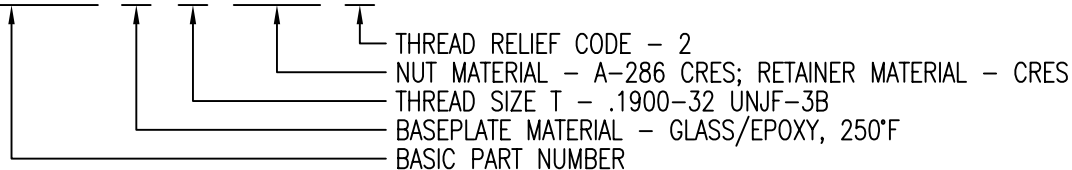
| CODE | THREAD SIZE | A | B | C | D | | | | | | | |
|------|------------------|-------|------|-----|------|---------|------|------|------|------|------|------|
| | | | | | | CODE | NONE | 2 | 3 | 4 | 5 | 6 |
| 08 | .1640-32 UNJC-3B | .948 | .525 | .35 | .250 | R ±.025 | .120 | .165 | .228 | .291 | .354 | .417 |
| 3 | .1900-32 UNJF-3B | | | | | H ±.025 | .300 | .362 | .424 | .486 | .549 | .612 |
| 4 | .2500-28 UNJF-3B | 1.292 | .610 | .45 | .310 | R ±.025 | .150 | .235 | .298 | .361 | .424 | .488 |
| | | | | | | H ±.025 | .362 | .424 | .487 | .549 | .609 | .672 |

MINIMUM NUT HEIGHT H LIMITED BY STRENGTH REQUIREMENTS ONLY.

| CODE | BASEPLATE MATERIAL |
|------|---------------------|
| C | CARBON/EPOXY, 350°F |
| G | GLASS/EPOXY, 250°F |
| E | GLASS/EPOXY, 350°F |

EXAMPLE PART NUMBER

CB4009 G 3 CRA 2



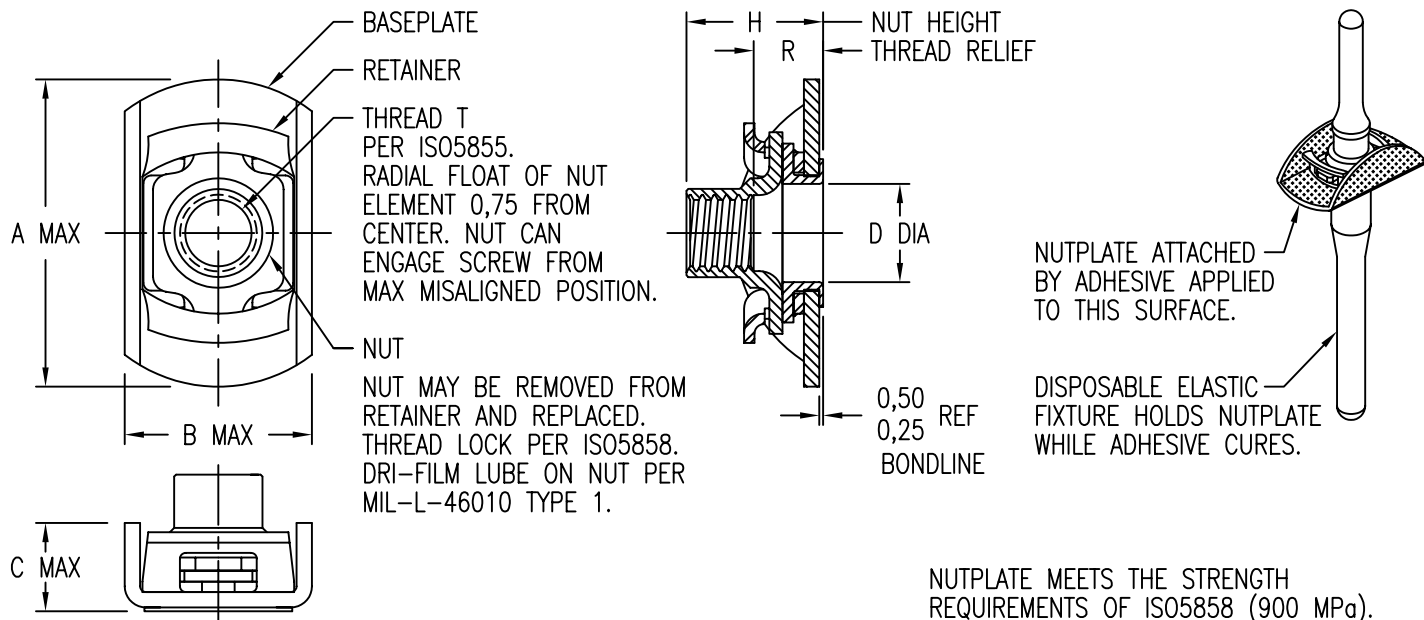
UNLESS OTHERWISE SPECIFIED, ALL DIMENSIONS ARE IN INCHES AND TOLERANCES ARE AS SHOWN BELOW. DIMENSIONAL TOLERANCES AND SYMBOLS PER ANSI Y14.5M-1982.

PROPRIETARY PARTS SHOWN IN THIS DRAWING ARE THE SUBJECT OF ISSUED UNITED STATES AND FOREIGN PATENTS AND PATENTS PENDING. UNAUTHORIZED REPRODUCTION AND/OR DISTRIBUTION OF THIS DRAWING IS SPECIFICALLY PROHIBITED.

GLICK BOND

CARSON CITY
NEVADA 89706

| CAD CB4009-1 | | APPROVALS | | DATE | TITLE | | | |
|--------------|-------|-----------|-----|---------|-----------------------------------|-------------|----------|--------------|
| ANGLES | ±1° | DRAWN | BSP | 27JUN01 | NUTPLATE, TWO LUG, COMPOSITE BASE | | | |
| .XX | ±.03 | CHECKED | DAC | 27JUN01 | SIZE | CAGE CODE | DWG. NO. | REV. |
| .XXX | ±.010 | RELEASED | CGH | 5JUL01 | A | 66530 | CB4009 | 11 |
| .XXXX | ±.001 | REVISED | BSP | 27JUN01 | SCALE | 2/1 27JUN01 | | SHEET 1 OF 2 |



NUTPLATE MEETS THE STRENGTH REQUIREMENTS OF ISO5858 (900 MPa).

MATERIAL AND FINISH DATA

| CODE | NUT MATERIAL | SPEC. | RETAINER MATERIAL | SPEC. | FINISH | SPEC. |
|------|--------------|----------|------------------------------|----------------------------|-----------|---------|
| CR | A-286 CRES | AMS 5525 | 17-7PH, A-286, 304, 305 CRES | AMS 5528, 5525, 5514, 5639 | PASSIVATE | QQ-P-35 |
| CRA | A-286 CRES | AMS 5525 | 17-7PH, A-286, 304, 305 CRES | AMS 5528, 5525, 5514, 5639 | PASSIVATE | QQ-P-35 |

THREAD T DATA AND DIMENSIONS

COUNTERBORE DATA - THD. RELIEF R AND NUT HEIGHT H

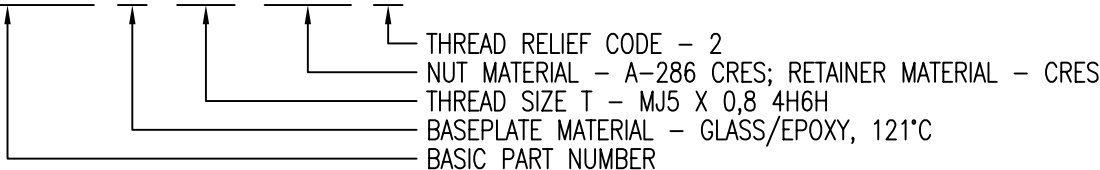
| CODE | THREAD SIZE | A | B | C | D | CODE | NONE | 2 | 3 | 4 | 5 | 6 |
|------|----------------|------|------|------|------|---------|------|-------|-------|-------|-------|-------|
| 4M | MJ4 X 0,7 4H6H | 24,1 | 13,4 | 8,9 | 6,35 | R ±0,65 | 3,05 | 4,19 | 5,79 | 7,39 | 8,99 | 10,59 |
| 5M | MJ5 X 0,8 4H6H | | | | | H ±0,65 | 7,62 | 9,19 | 10,77 | 12,34 | 13,94 | 15,54 |
| 6M | MJ6 X 1,0 4H5H | 32,9 | 15,5 | 11,5 | 7,87 | R ±0,65 | 3,81 | 5,97 | 7,57 | 9,17 | 10,77 | 12,40 |
| | | | | | | H ±0,65 | 9,19 | 10,77 | 12,37 | 13,94 | 15,47 | 17,07 |

MINIMUM NUT HEIGHT H LIMITED BY STRENGTH REQUIREMENTS ONLY.

| CODE | BASEPLATE MATERIAL |
|------|---------------------|
| C | CARBON/EPOXY, 177°C |
| G | GLASS/EPOXY, 121°C |
| E | GLASS/EPOXY, 177°C |

EXAMPLE PART NUMBER

CB4009 G 5M CRA 2



UNLESS OTHERWISE SPECIFIED, ALL DIMENSIONS ARE IN MILLIMETERS AND TOLERANCES ARE AS SHOWN BELOW. DIMENSIONAL TOLERANCES AND SYMBOLS PER ANSI Y14.5M-1982.

PROPRIETARY PARTS SHOWN IN THIS DRAWING ARE THE SUBJECT OF ISSUED UNITED STATES AND FOREIGN PATENTS AND PATENTS PENDING. UNAUTHORIZED REPRODUCTION AND/OR DISTRIBUTION OF THIS DRAWING IS SPECIFICALLY PROHIBITED.



CARSON CITY
NEVADA 89706

| | | | | | | | | |
|-----------------------------------|---------|-----------|-----|---------|-----------------------------------|-----------|-----------------|--------------|
| CAD CB4009-2 METRIC DIMENSIONS | | APPROVALS | | DATE | TITLE | | | |
| ANGLES ±1° | | DRAWN | BSP | 27JUN01 | NUTPLATE, TWO LUG, COMPOSITE BASE | | | |
| .X ±0,8 | RELEAS | CHEKED | DAC | 27JUN01 | SIZE | CAGE CODE | DWG. NO. | REV. |
| .XX ±0,25 | REVISED | CGH | BSP | 5JUL01 | A | 66530 | CB4009 (METRIC) | 11 |
| | | REVISED | BSP | 27JUN01 | SCALE | 2/1 | 27JUN01 | SHEET 2 OF 2 |