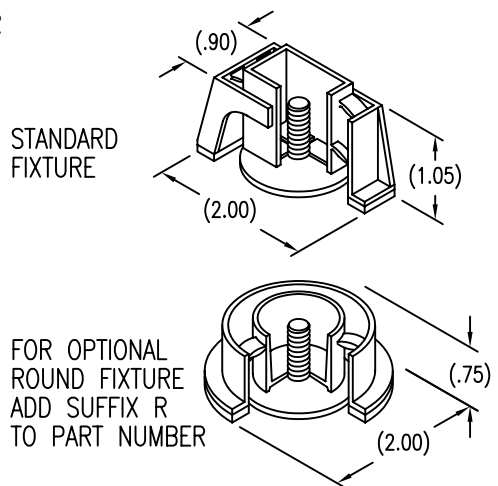


DISPOSABLE PRESSURE SENSITIVE ADHESIVE FIXTURE HOLDS STUD WHILE ADHESIVE CURES.



THREAD T DATA		LENGTH L CODE (LENGTH L IN SIXTEENTHS OF AN INCH)									
CODE	THREAD T	.250	.312	.375	.500	.625	.750	.875	1.000	1.250	1.500
632	.138-32 UNC-2A	4	5	6	8	10	12	14	16	20	24
832	.164-32 UNC-2A	4	5	6	8	10	12	14	16	20	24
1024	.190-24 UNC-2A	4	5	6	8	10	12	14	16	20	24
1032	.190-32 UNF-2A	4	5	6	8	10	12	14	16	20	24
1420	.250-20 UNC-2A	-	-	6	8	10	12	14	16	20	24
1428	.250-28 UNF-2A	-	-	6	8	10	12	14	16	20	24
51618	.312-18 UNC-2A	-	-	-	8	10	12	14	16	20	24

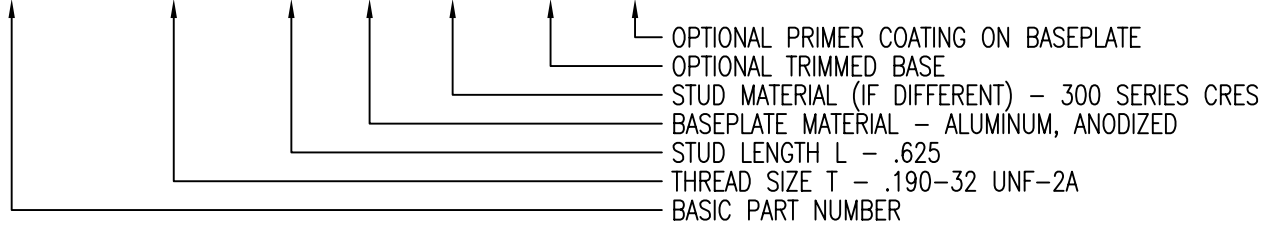
CODE	BASEPLATE MATERIAL	FINISH
AX	ALUMINUM	NONE
AA	ALUMINUM	ANODIZE
CR	300 SERIES CRES	PASSIVATE
CRM	316 CRES	PASSIVATE
C	CARBON/EPOXY	NONE
G	GLASS/EPOXY	NONE

CODE	STUD MATERIAL	FINISH
AX	ALUMINUM	NONE
CR	300 SERIES CRES	PASSIVATE
S	CARBON STEEL	ZINC PLATE

CODE	BASEPLATE PRIMER
P	EPOXY PRIMER

(1) NOTE: .110 MAX FOR COMPOSITE BASE STUDS. COMPOSITE STUDS HAVE CRES TRIM WASHER.

EXAMPLE PART NUMBER
CS125-1032-10 AA CR 750 P



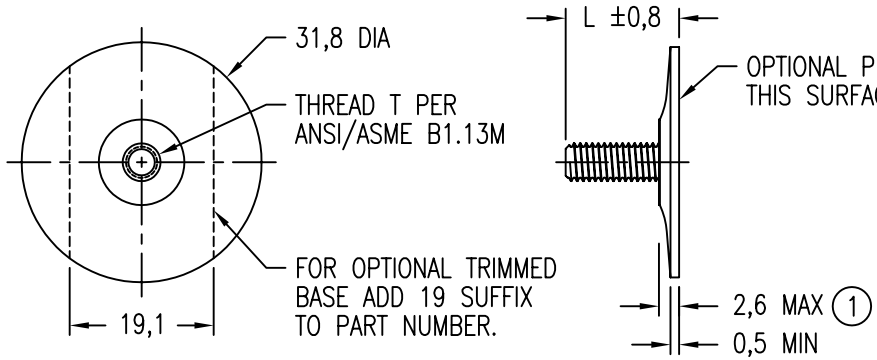
UNLESS OTHERWISE SPECIFIED, ALL DIMENSIONS ARE IN INCHES AND TOLERANCES ARE AS SHOWN BELOW. DIMENSIONAL TOLERANCES AND SYMBOLS PER ANSI Y14.5M-1982.

PROPRIETARY PARTS SHOWN IN THIS DRAWING ARE THE SUBJECT OF ISSUED UNITED STATES AND FOREIGN PATENTS AND PATENTS PENDING. UNAUTHORIZED REPRODUCTION AND/OR DISTRIBUTION OF THIS DRAWING IS SPECIFICALLY PROHIBITED.

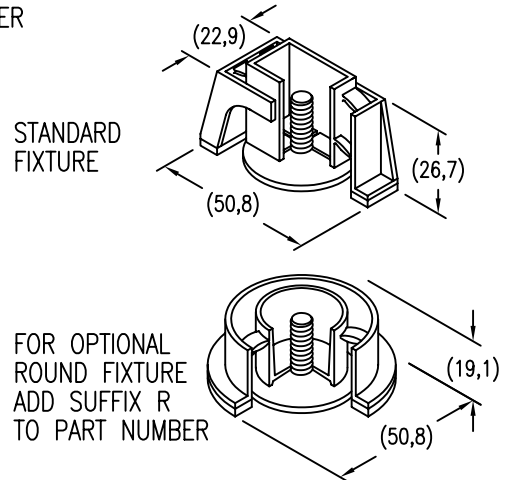
GLICK BOND

CARSON CITY
NEVADA 89706

CAD CS125-1		APPROVALS		DATE		TITLE			
ANGLES ±1°		DRAWN	BSP	3DEC02		STUD, ADHESIVE BONDED			
.XX ±.03		CHECKED	DAC	3DEC02		SIZE	CAGE CODE	DWG. NO.	REV.
.XXX ±.010		RELEASED	CGH	19DEC02		A	66530	CS125	10
.XXXX ±.001		REVISED	BSP	3DEC02		SCALE	1/1	3DEC02	SHEET 1 OF 2



DISPOSABLE PRESSURE SENSITIVE ADHESIVE FIXTURE HOLDS STUD WHILE ADHESIVE CURES.



THREAD T DATA LENGTH L CODE (LENGTH L IN MILLIMETERS)

CODE	THREAD T	6	8	10	12	15	18	20	25	30	35
3M	M3 X 0,5 6g	6M	8M	10M	12M	15M	18M	20M	25M	-	-
4M	M4 X 0,7 6g	6M	8M	10M	12M	15M	18M	20M	25M	30M	35M
5M	M5 X 0,8 6g	6M	8M	10M	12M	15M	18M	20M	25M	30M	35M
6M	M6 X 1,0 6g	-	-	10M	12M	15M	18M	20M	25M	30M	35M
8M	M8 X 1,25 6g	-	-	-	-	15M	18M	20M	25M	30M	35M

BASEPLATE MATERIAL AND FINISH

CODE	BASEPLATE MATERIAL	FINISH
AX	ALUMINUM	NONE
AA	ALUMINUM	ANODIZE
CR	300 SERIES CRES	PASSIVATE
CRM	316 CRES	PASSIVATE
C	CARBON/EPOXY	NONE
G	GLASS/EPOXY	NONE

STUD MATERIAL AND FINISH

CODE	STUD MATERIAL	FINISH
AX	ALUMINUM	NONE
CR	300 SERIES CRES	PASSIVATE
S	CARBON STEEL	ZINC PLATE

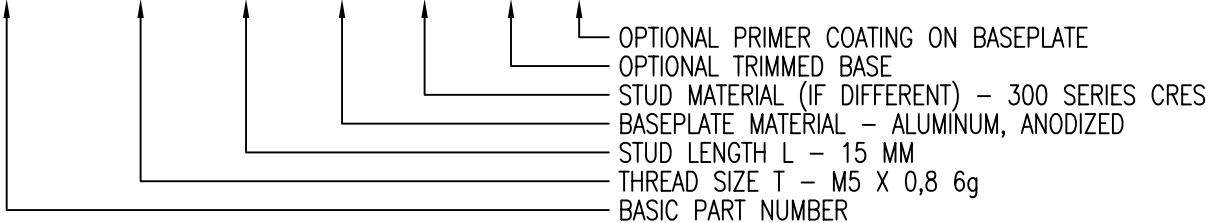
OPTIONAL PRIMER

CODE	BASEPLATE PRIMER
P	EPOXY PRIMER

① NOTE: 2,8 MAX FOR COMPOSITE BASE STUDS. COMPOSITE STUDS HAVE CRES TRIM WASHER.

EXAMPLE PART NUMBER

CS125-5M 15M AA CR 19 P



UNLESS OTHERWISE SPECIFIED, ALL DIMENSIONS ARE IN MILLIMETERS AND TOLERANCES ARE AS SHOWN BELOW. DIMENSIONAL TOLERANCES AND SYMBOLS PER ANSI Y14.5M-1982.

PROPRIETARY PARTS SHOWN IN THIS DRAWING ARE THE SUBJECT OF ISSUED UNITED STATES AND FOREIGN PATENTS AND PATENTS PENDING. UNAUTHORIZED REPRODUCTION AND/OR DISTRIBUTION OF THIS DRAWING IS SPECIFICALLY PROHIBITED.

GLICK BOND

CARSON CITY
NEVADA 89706

CAD CS125-2 METRIC DIMENSIONS	
ANGLES	±1°
.X	±0,8
.XX	±0,25

APPROVALS	DATE
DRAWN BSP	3DEC02
CHECKED DAC	3DEC02
RELEASED CGH	19DEC02
REVISED BSP	3DEC02

TITLE STUD, ADHESIVE BONDED			
SIZE A	CAGE CODE 66530	DWG. NO. CS125	REV. 10
SCALE 1/1	3DEC02	SHEET 2 OF 2	