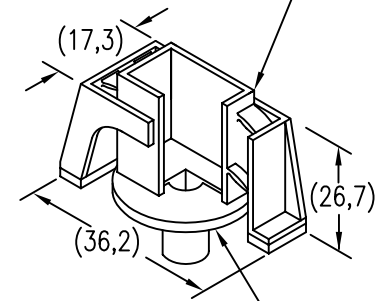


DISPOSABLE PRESSURE SENSITIVE ADHESIVE FIXTURE HOLDS BUSHING WHILE ADHESIVE CURES.



BUSHING ATTACHED BY ADHESIVE APPLIED TO THIS SURFACE.

MATERIAL AND FINISH DATA

CODE	MATERIAL	FINISH
CR	STAINLESS STEEL	PASSIVATE

PART NUMBER

CN555 CR 5M

THREAD - M5 X 0,8-6H

MATERIAL - STAINLESS STEEL

BASIC PART NUMBER

UNLESS OTHERWISE SPECIFIED, ALL DIMENSIONS ARE IN MILLIMETERS AND TOLERANCES ARE AS SHOWN BELOW. DIMENSIONAL TOLERANCES AND SYMBOLS PER ANSI Y14.5M-1982.

PROPRIETARY PARTS SHOWN IN THIS DRAWING ARE THE SUBJECT OF ISSUED UNITED STATES AND FOREIGN PATENTS AND PATENTS PENDING. UNAUTHORIZED REPRODUCTION AND/OR DISTRIBUTION OF THIS DRAWING IS SPECIFICALLY PROHIBITED.

GLICK BOND

CARSON CITY
NEVADA 89706

APPROVALS		DATE
DRAWN	DAC	14AUG00
CHECKED	DAC	14AUG00
RELEASED	CGH	8SEP00
REVISED		

TITLE			
BUSHING, THREADED, ADHESIVE BONDED			
SIZE	CAGE CODE	DWG. NO.	REV.
A	66530	CN555	0
SCALE	2/1 14AUG00		SHEET 1 OF 1