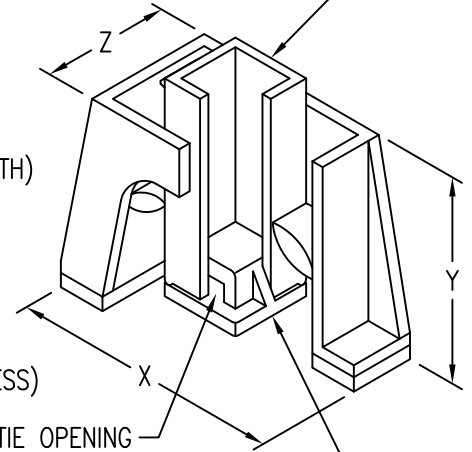


DISPOSABLE PRESSURE SENSITIVE ADHESIVE FIXTURE HOLDS MOUNT WHILE ADHESIVE CURES.



MOUNT ATTACHED BY ADHESIVE APPLIED TO THIS SURFACE.

DIMENSION AND APPROX. WEIGHT DATA

CODE	A	B	C	D REF	E REF	FIXTURE DIMENSIONS			APPROX. WEIGHT LBS/100 (grams)
						X REF	Y REF	Z REF	
3	.44 (11,2)	.32 (8,0)	.19 (4,9)	.195 (4,9)	.070 (1,8)	1.43 (36,3)	1.05 (26,7)	.68 (17,3)	.09 (0,4)

MATERIAL AND FINISH DATA

CODE	MATERIAL	FINISH
VG	GLASS/POLYETHERIMIDE	ABRASIVE CLEAN

- NOTES: 1. DIMENSIONS IN INCHES (mm)
 2. CM902VG3 CABLE TIE MOUNT FOR USE WITH INTERMEDIATE OR STANDARD CABLE TIE STRAPS
 3. APPROX. WEIGHT EXCLUDES WEIGHT OF DISPOSABLE INSTALLATION FIXTURE

EXAMPLE PART NUMBER

CM902 VG 3

REFERENCE SIZE
 MATERIAL - GLASS/PEI
 BASIC PART NUMBER

UNLESS OTHERWISE SPECIFIED, ALL DIMENSIONS ARE IN INCHES AND TOLERANCES ARE AS SHOWN BELOW. DIMENSIONAL TOLERANCES AND SYMBOLS PER ANSI Y14.5M-1982.

PROPRIETARY PARTS SHOWN IN THIS DRAWING ARE THE SUBJECT OF ISSUED UNITED STATES AND FOREIGN PATENTS AND PATENTS PENDING. UNAUTHORIZED REPRODUCTION AND/OR DISTRIBUTION OF THIS DRAWING IS SPECIFICALLY PROHIBITED.

CLICK BOND

CARSON CITY
 NEVADA 89706

APPROVALS		DATE	TITLE				
ANGLES	±1°	DRAWN <i>DAC</i>	11MAY12	CABLE TIE ANCHOR MOUNT, SIZE 3			
.XX	±.03	CHECKED <i>DAC</i>	11MAY12	SIZE	CAGE CODE	DWG. NO.	REV.
.XXX	±.010	RELEASED <i>ABC</i>	11MAY12	A	66530	CM902	1
.XXXX	±.001	REVISED <i>DAC</i>	11MAY12	SCALE	4/1	11MAY12	SHEET 1 OF 1