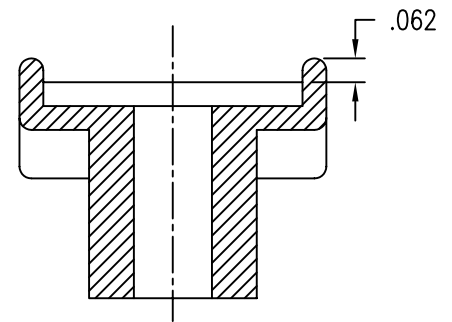
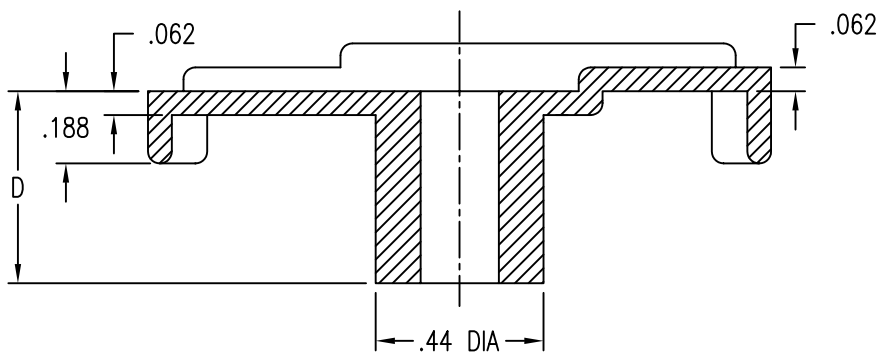
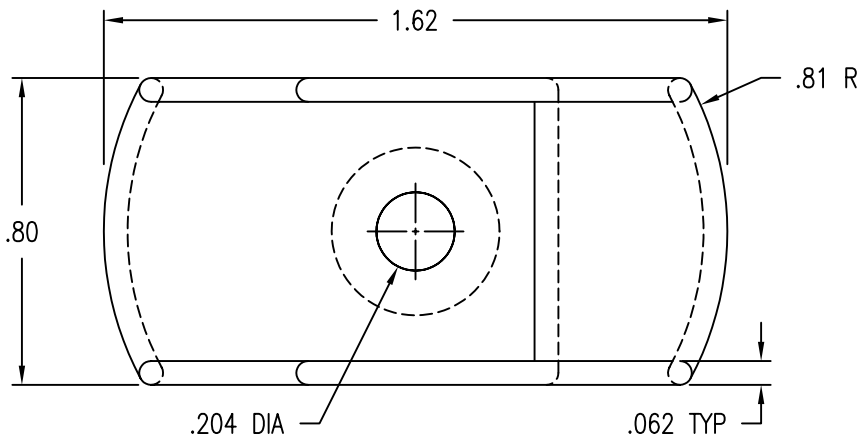


TYPICAL APPLICATION WITH TWO MS21919 CUSHIONED LINE SUPPORT CLAMPS MOUNTED TO SUBSTRATE WITH ONE ADHESIVE BONDED STUD AND ONE MS21043 NUT.

SUPPORT MATERIAL: POLYETHERIMIDE/GLASS



STANDOFF DISTANCE DATA

| CODE | D |
|------|-------|
| 8 | .500 |
| 12 | .750 |
| 16 | 1.000 |

EXAMPLE PART NUMBER
CB9478 V 3-8

STANDOFF DISTANCE D - .500
 HOLE SIZE - .204 DIA FOR .1900-32 STUD
 MATERIAL - POLYETHERIMIDE/GLASS
 BASIC PART NUMBER

UNLESS OTHERWISE SPECIFIED, ALL DIMENSIONS ARE IN INCHES AND TOLERANCES ARE AS SHOWN BELOW. DIMENSIONAL TOLERANCES AND SYMBOLS PER ANSI Y14.5M-1982.

PROPRIETARY PARTS SHOWN IN THIS DRAWING ARE THE SUBJECT OF ISSUED UNITED STATES AND FOREIGN PATENTS AND PATENTS PENDING. UNAUTHORIZED REPRODUCTION AND/OR DISTRIBUTION OF THIS DRAWING IS SPECIFICALLY PROHIBITED.

CLICK BOND

CARSON CITY
 NEVADA 89706

| APPROVALS | | DATE | TITLE | | | |
|-----------|-------|--------------|--------------------------------------|-----------|----------|--------------|
| ANGLES | ±1° | DRAWN BSP | SUPPORT, DOUBLE LINE CLAMP, EXTENDED | | | |
| .XX | ±.03 | CHECKED DAC | SIZE | CAGE CODE | DWG. NO. | REV. |
| .XXX | ±.010 | RELEASED CGH | A | 66530 | CB9478 | 0 |
| .XXXX | ±.001 | REVISED | SCALE | 2/1 | 20JUN02 | SHEET 1 OF 1 |