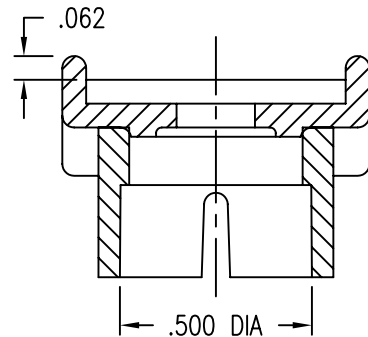
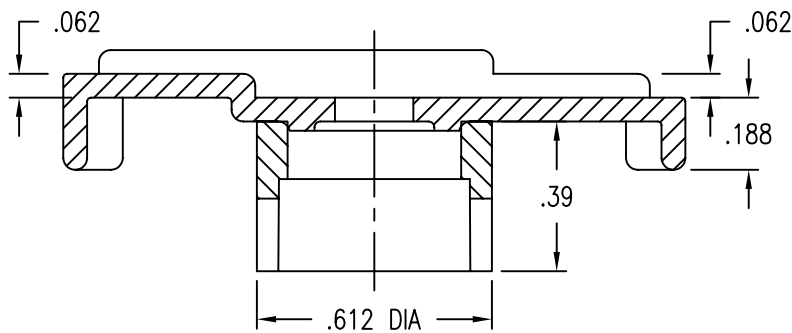


TYPICAL APPLICATION WITH TWO MS21919 CUSHIONED LINE SUPPORT CLAMPS MOUNTED TO SUBSTRATE WITH ONE ADHESIVE BONDED OFFSET STANDOFF NUTPLATE (CB4014) AND .1900-32 SCREW.

MATERIAL - GLASS/POLYETHERIMIDE



EXAMPLE PART NUMBER

CB9422 V 3

HOLE SIZE - .204 DIA FOR .1900-32 BOLT  
 MATERIAL - GLASS/POLYETHERIMIDE  
 BASIC PART NUMBER

UNLESS OTHERWISE SPECIFIED, ALL DIMENSIONS ARE IN INCHES AND TOLERANCES ARE AS SHOWN BELOW. DIMENSIONAL TOLERANCES AND SYMBOLS PER ANSI Y14.5M-1982.

PROPRIETARY PARTS SHOWN IN THIS DRAWING ARE THE SUBJECT OF ISSUED UNITED STATES AND FOREIGN PATENTS AND PATENTS PENDING. UNAUTHORIZED REPRODUCTION AND/OR DISTRIBUTION OF THIS DRAWING IS SPECIFICALLY PROHIBITED.

**GLICK BOND**

CARSON CITY  
 NEVADA 89706

		APPROVALS	DATE
ANGLES	±1°	DRAWN PMM	17JAN05
.XX	±.03	CHECKED <i>DOC/mtm</i>	17JAN05
.XXX	±.010	RELEASED <i>CGH</i>	17JAN05
.XXXX	±.001	REVISED PMM	17JAN05

TITLE			
SUPPORT, DOUBLE LINE CLAMP			
SIZE	CAGE CODE	DWG. NO.	REV.
A	66530	CB9422	1
SCALE	2/1		17JAN05
			SHEET 1 OF 1