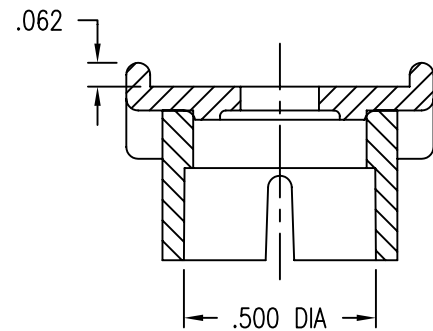
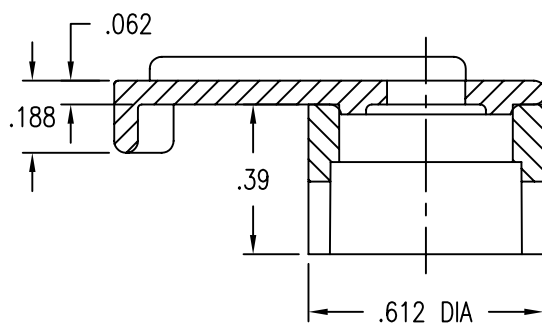


TYPICAL APPLICATION WITH MS21919 CUSHIONED LINE SUPPORT CLAMP MOUNTED TO SUBSTRATE WITH ADHESIVE BONDED OFFSET STANDOFF NUTPLATE (CB4014) AND .1900-32 SCREW.

MATERIAL - GLASS/POLYETHERIMIDE



EXAMPLE PART NUMBER

CB9421 V 3

HOLE SIZE - .204 DIA FOR .1900-32 BOLT  
 MATERIAL - GLASS/POLYETHERIMIDE  
 BASIC PART NUMBER

UNLESS OTHERWISE SPECIFIED, ALL DIMENSIONS ARE IN INCHES AND TOLERANCES ARE AS SHOWN BELOW. DIMENSIONAL TOLERANCES AND SYMBOLS PER ANSI Y14.5M-1982.

PROPRIETARY PARTS SHOWN IN THIS DRAWING ARE THE SUBJECT OF ISSUED UNITED STATES AND FOREIGN PATENTS AND PATENTS PENDING. UNAUTHORIZED REPRODUCTION AND/OR DISTRIBUTION OF THIS DRAWING IS SPECIFICALLY PROHIBITED.

**GLICK BOND**

CARSON CITY  
 NEVADA 89706

APPROVALS		DATE		TITLE			
ANGLES	±1°	DRAWN	PMM	SUPPORT, LINE CLAMP			
.XX	±.03	CHECKED	<i>DOC/John</i>	SIZE	CAGE CODE	DWG. NO.	REV.
.XXX	±.010	RELEASED	<i>CGH</i>	A	66530	CB9421	1
.XXXX	±.001	REVISED	PMM	SCALE	2/1	17JAN05	SHEET 1 OF 1