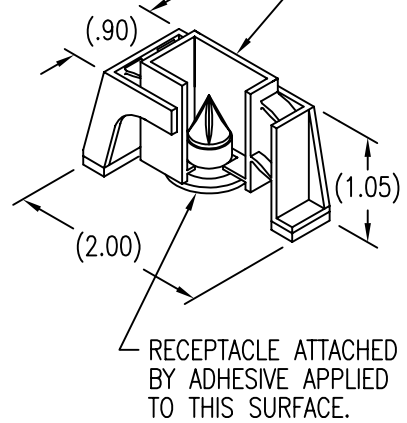
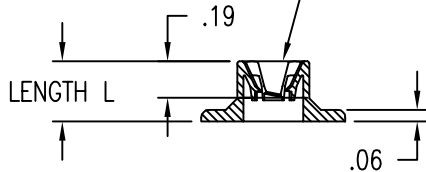


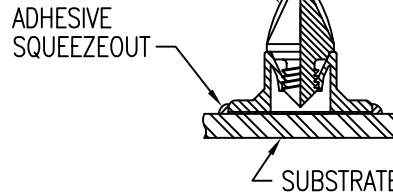
DISPOSABLE PRESSURE SENSITIVE ADHESIVE FIXTURE HOLDS RECEPTACLE WHILE ADHESIVE CURES.



RECEPTACLE ACCEPTS CB9174 AND CB9208 BLANKET RETAINERS AND CB9194 BLANKET INSTALLATION SPEAR.



PART NUMBER WITH S SUFFIX HAS CB9194 BLANKET INSTALLATION SPEAR ATTACHED TO PUNCTURE BLANKET. REPLACE WITH CB9174 OR CB9208 RETAINER TO HOLD BLANKET IN POSITION.



TYPICAL INSTALLATION

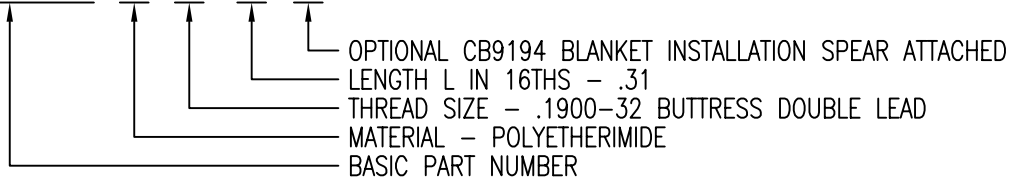
MATERIAL DATA

CODE	MATERIAL	FINISH
V	POLYETHERIMIDE THERMOPLASTIC, 350°F	ABRASIVE CLEAN

LENGTH L DATA

CODE	LENGTH L
5	.31
7	.44
12	.75
24	1.50

CB9170 V 3-5 S



UNLESS OTHERWISE SPECIFIED, ALL DIMENSIONS ARE IN INCHES AND TOLERANCES ARE AS SHOWN BELOW. DIMENSIONAL TOLERANCES AND SYMBOLS PER ANSI Y14.5M-1982.

PROPRIETARY PARTS SHOWN IN THIS DRAWING ARE THE SUBJECT OF ISSUED UNITED STATES AND FOREIGN PATENTS AND PATENTS PENDING. UNAUTHORIZED REPRODUCTION AND/OR DISTRIBUTION OF THIS DRAWING IS SPECIFICALLY PROHIBITED.

**GLICK BOND**

CARSON CITY  
NEVADA 89706

ANGLES	±1°	APPROVALS		DATE	
		DRAWN	BSP	5MAR01	
.XX	±.03	CHECKED	DAC	5MAR01	
.XXX	±.010	RELEASED	CGH	5MAR01	
.XXXX	±.001	REVISED			

TITLE			
RECEPTACLE, INSULATION BLANKET MOUNT			
SIZE	CAGE CODE	DWG. NO.	REV.
A	66530	CB9170	0
SCALE	1/1	5MAR01	SHEET 1 OF 1