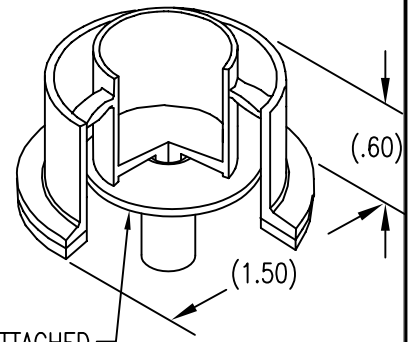


PART SUPPLIED MOUNTED IN DISPOSABLE PRESSURE SENSITIVE ADHESIVE FIXTURE FOR ATTACHMENT DURING BONDING.



INSERT ATTACHED BY MEANS OF ADHESIVE APPLIED TO THIS SURFACE.

GRIP LENGTH L DATA

CODE	8	10	12	14	16
L	.500	.625	.750	.875	1.000

MATERIAL AND FINISH DATA

CODE	INSERT MATERIAL	FINISH	SPEC.
CR	300 SERIES CRES	PASSIVATE	QQ-P-35

THREAD AND DIMENSION DATA

CODE	THREAD T	B DIA	D MIN	L MIN
08	.1640-32 UNC-2B	.28	.38	.500
324	.1900-24 UNC-2B			
3	.1900-32 UNF-2B			

CB9101 CR 3-12

↑ GRIP LENGTH L - .750
 ↑ THREAD T SIZE - .1900-32 UNF-2B
 ↑ INSERT MATERIAL - 300 SERIES CRES
 ↑ BASIC PART NUMBER

UNLESS OTHERWISE SPECIFIED, ALL DIMENSIONS ARE IN INCHES AND TOLERANCES ARE AS SHOWN BELOW. DIMENSIONAL TOLERANCES AND SYMBOLS PER ANSI Y14.5M-1982.

PROPRIETARY PARTS SHOWN IN THIS DRAWING ARE THE SUBJECT OF ISSUED UNITED STATES AND FOREIGN PATENTS AND PATENTS PENDING. UNAUTHORIZED REPRODUCTION AND/OR DISTRIBUTION OF THIS DRAWING IS SPECIFICALLY PROHIBITED.

GLICK BOND

CARSON CITY
NEVADA 89706

		APPROVALS	DATE
ANGLES	±1°	DRAWN RGP	24JAN96
.XX	±.03	CHECKED DAC	24JAN96
.XXX	±.010	RELEASED CGH	24JAN96
.XXXX	±.001	REVISED	

TITLE INSERT, SMALL, BLIND THREAD			
SIZE A	CAGE CODE 66530	DWG. NO. CB9101	REV. 0
SCALE 2/1	24JAN96	SHEET 1	OF 1