

DIMENSION DATA

CODE	THREAD T	A	B MIN	C REF
3	.1900-32 UNF-3B	.312	.194	.190
4	.2500-28 UNF-3B	.375	.254	.250
420	.2500-20 UNC-3B	.375	.254	.250
5	.3125-24 UNF-3B	.500	.317	.312
518	.3125-18 UNC-3B	.500	.317	.312

GRIP LENGTH L DATA

CODE	6	8	10	12	14	16
L	.375	.500	.625	.750	.875	1.000

THREAD T
 MS21209 INSERT INSTALLED PER MS33537.
 LUBE PER MIL-L-46010, TYPE 1.
 THREAD LOCK PER MIL-N-25027.
 ACCOMMODATES MIL-S-8879 UNJ THREAD SCREW.

MATERIAL AND FINISH DATA

CODE	MATERIAL	SPEC.	FINISH	SPEC.
A	2024 OR 6061 ALUMINUM	QQ-A-200, QQ-A-225, OR QQ-A-250	ANODIZE	MIL-A-8625
CR	302, 303, 304, OR A-286 CRES	AMS 5637, 5638, 5639, 5640, 5641 AMS 5726, 5731, 5732, 5734, 5737	PASSIVATE	QQ-P-35
CRA	A-286 CRES	AMS 5726, 5731, 5732, 5734, 5737	PASSIVATE	QQ-P-35

EXAMPLE PART NUMBER

CB9084 CR 4-6-750



UNLESS OTHERWISE SPECIFIED, ALL DIMENSIONS ARE IN INCHES AND TOLERANCES ARE AS SHOWN BELOW. DIMENSIONAL TOLERANCES AND SYMBOLS PER ANSI Y14.5M-1982.

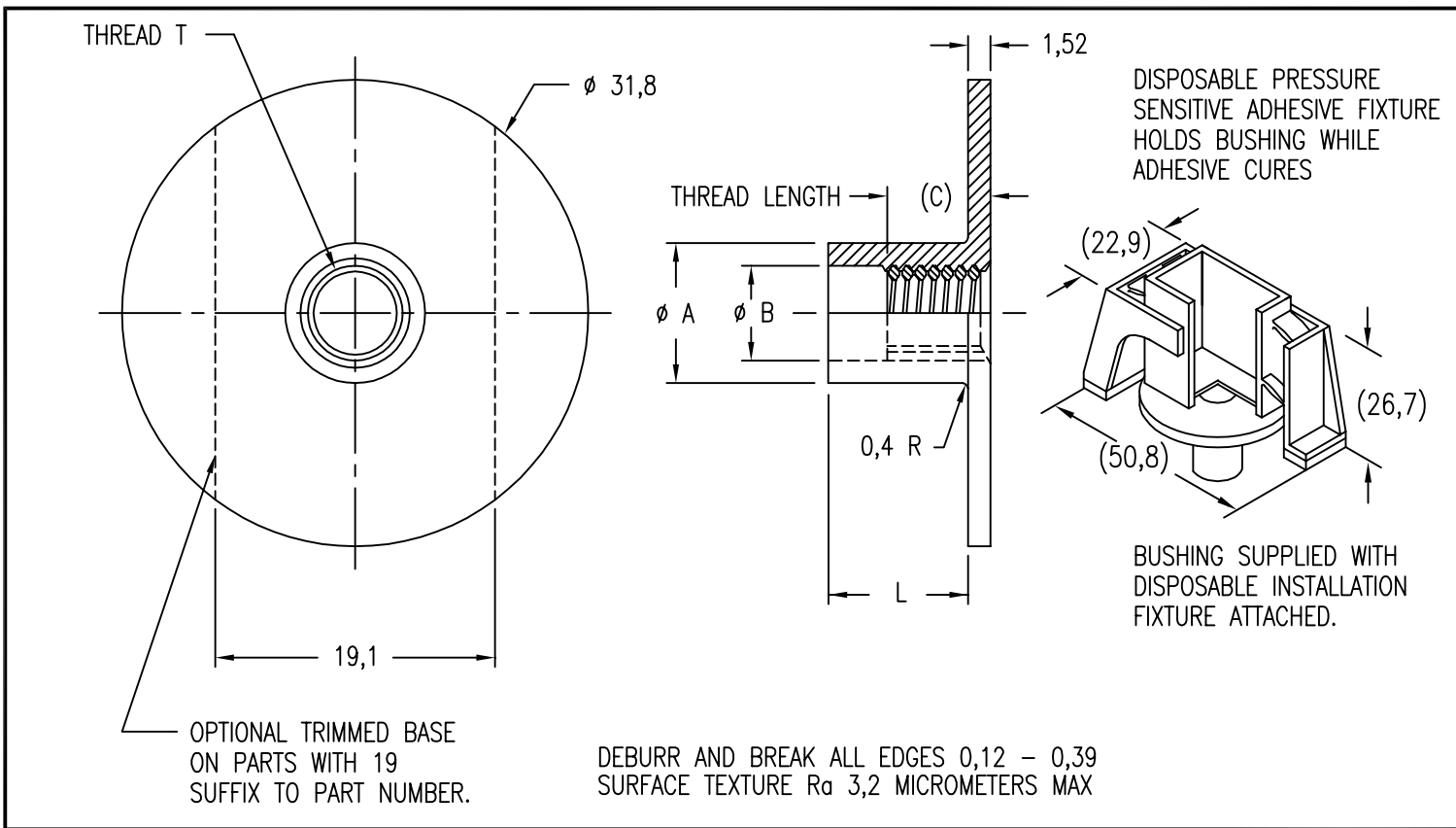
PROPRIETARY PARTS SHOWN IN THIS DRAWING ARE THE SUBJECT OF ISSUED UNITED STATES AND FOREIGN PATENTS AND PATENTS PENDING. UNAUTHORIZED REPRODUCTION AND/OR DISTRIBUTION OF THIS DRAWING IS SPECIFICALLY PROHIBITED.



CARSON CITY
 NEVADA 89706

CAD CB9084-1		APPROVALS	DATE
ANGLES	±1°	DRAWN RGP	29JAN96
.XX	±.03	CHECKED DAC	29JAN96
.XXX	±.010	RELEASED CGH	14FEB96
.XXXX	±.001	REVISED RGP	29JAN96

TITLE			
BUSHING, LOCKING THREAD, ADHESIVE BONDED			
SIZE	CAGE CODE	DWG. NO.	REV.
A	66530	CB9084	2
SCALE	2/1 29JAN96		SHEET 1 OF 2



DIMENSION DATA

CODE	THREAD T	A	B MIN	C REF
5M	M5 X 0,8 4H5H	8,00	5,1	5,0
6M	M6 X 1,0 4H5H	9,00	6,1	6,0
8M	M8 X 1,25 4H5H	13,00	8,1	8,0

GRIP LENGTH L DATA

CODE	10M	12M	15M	20M	25M
L \pm 0,5	10	12	15	20	25

THREAD T
MA3330 INSERT INSTALLED PER MA1567.
LUBE PER MIL-L-46010, TYPE 1.
THREAD LOCK PER ISO 2320.
ACCOMMODATES ISO 5855 MJ THREAD SCREW.

MATERIAL AND FINISH DATA

CODE	MATERIAL	SPEC.	FINISH	SPEC.
A	2024 OR 6061 ALUMINUM	QQ-A-200, QQ-A-225, OR QQ-A-250	ANODIZE	MIL-A-8625
CR	302, 303, 304, OR A-286 CRES	AMS 5637, 5638, 5639, 5640, 5641 AMS 5726, 5731, 5732, 5734, 5737	PASSIVATE	QQ-P-35
CRA	A-286 CRES	AMS 5726, 5731, 5732, 5734, 5737	PASSIVATE	QQ-P-35

EXAMPLE PART NUMBER

CB9084 CR 6M 12M 19

OPTIONAL TRIMMED BASE - 19,1 MM
GRIP LENGTH L IN MILLIMETERS - 12MM
THREAD SIZE - M6 X 1,0 4H5H
MATERIAL - 302, 303, 304 OR A-286 CRES
BASIC PART NUMBER

UNLESS OTHERWISE SPECIFIED, ALL DIMENSIONS ARE IN MILLIMETERS AND TOLERANCES ARE AS SHOWN BELOW. DIMENSIONAL TOLERANCES AND SYMBOLS PER ANSI Y14.5M-1982.

PROPRIETARY PARTS SHOWN IN THIS DRAWING ARE THE SUBJECT OF ISSUED UNITED STATES AND FOREIGN PATENTS AND PATENTS PENDING. UNAUTHORIZED REPRODUCTION AND/OR DISTRIBUTION OF THIS DRAWING IS SPECIFICALLY PROHIBITED.

CLICK BOND

CARSON CITY
NEVADA 89706

CAD CB9084-2 METRIC DIMENSIONS	
ANGLES	\pm 1°
.X	\pm 0,8
.XX	\pm 0,25

APPROVALS	DATE
DRAWN RGP	29JAN96
CHECKED DAC	29JAN96
RELEASED CGH	14FEB96
REVISED RGP	29JAN96

TITLE BUSHING, LOCKING THREAD, ADHESIVE BONDED			
SIZE A	CAGE CODE 66530	DWG. NO. CB9084 (METRIC)	REV. 2
SCALE 2/1	29JAN96	SHEET 2 OF 2	