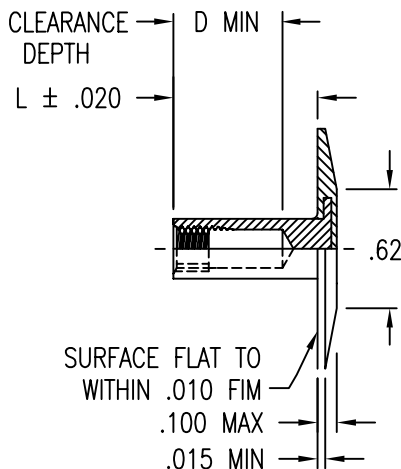
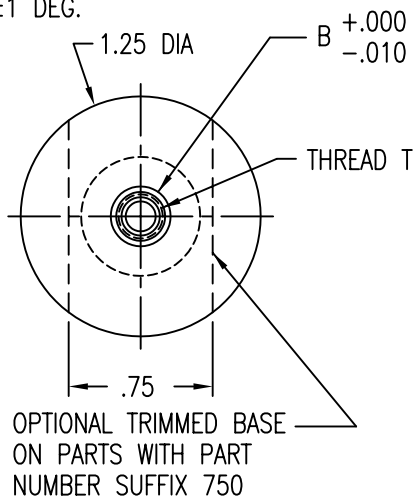
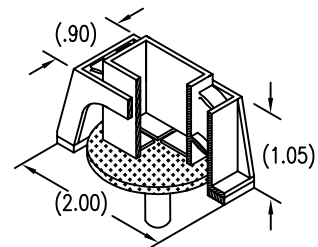


STANDOFF STRAIGHT WITHIN
.004 INCH PER INCH LENGTH.
THREAD P.D. CONCENTRIC WITH
BASE O.D. WITHIN .020 FIM.
AND PERP. TO BASE WITHIN
±1 DEG.



DISPOSABLE PRESSURE SENSITIVE ADHESIVE FIXTURE HOLDS STANDOFF WHILE ADHESIVE CURES



LENGTH L DATA (LENGTH L IN SIXTEENTHS OF AN INCH)

| | | | | | | | | | | | | | | | | | |
|-------|------|------|------|------|------|------|------|------|------|------|------|-------|-------|-------|-------|-------|-------|
| CODE | 5 | 6 | 7 | 8 | 9 | 10 | 11 | 12 | 13 | 14 | 15 | 16 | 17 | 18 | 20 | 22 | 24 |
| L | .312 | .375 | .437 | .500 | .562 | .625 | .687 | .750 | .812 | .875 | .937 | 1.000 | 1.062 | 1.125 | 1.250 | 1.375 | 1.500 |
| D MIN | .218 | .295 | .400 | .472 | | | | | | | | | | | | | |

STANDOFF MATERIAL AND FINISH DATA

| CODE | STANDOFF MATERIAL | SPEC. | FINISH | SPEC. |
|------|------------------------------|---|-----------|------------|
| A | 2024 OR 6061 | | NONE | |
| AA | ALUMINUM | QQ-A-200, QQ-A-225, QQ-A-250 | ANODIZE | MIL-A-8625 |
| CR | 302, 303, 304, OR A-286 CRES | AMS 5513, 5516, 5525, 5636, 5637, 5638, 5639, 5640, 5641, 5647, 5726, 5731, 5732, 5734, OR 5737 | PASSIVATE | QQ-P-35 |
| CRA | A-286 CRES | AMS 5525, 5726, 5731, 5732, 5734, 5737 | PASSIVATE | QQ-P-35 |
| T | 6AL-4V TITANIUM | AMS 4911, 4928, 4965, OR 4967 | NONE | |

COMPOSITE MATERIAL

| CODE | BASEPLATE MATERIAL |
|------|----------------------|
| C | CARBON/EPOXY, 350° F |
| G | GLASS/EPOXY, 250° F |
| E | GLASS/EPOXY, 350° F |

THREAD T DATA

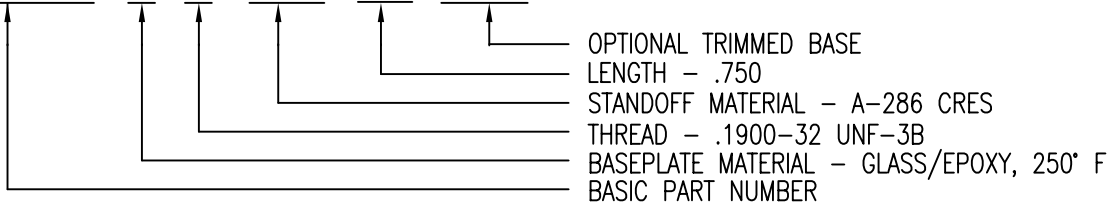
| CODE | THREAD SIZE | B DIA. |
|------|-----------------|--------|
| 06 | .1380-32 UNC-3B | .312 |
| 08 | .1640-32 UNC-3B | |
| 3 | .1900-32 UNF-3B | .375 |
| 4 | .2500-28 UNF-3B | |

THREAD T

MS21209 INSERT
INSTALLED PER MS33537.
LUBE PER MIL-L-46010,
TYPE 1. THREAD LOCK PER
MIL-N-25027. ACCOMMODATES
MIL-S-8879 UNJ THREAD
SCREW.

EXAMPLE PART NUMBER

CB4033 G 3 CRA 12-750



OPTIONAL TRIMMED BASE

LENGTH - .750

STANDOFF MATERIAL - A-286 CRES

THREAD - .1900-32 UNF-3B

BASEPLATE MATERIAL - GLASS/EPOXY, 250° F

BASIC PART NUMBER

UNLESS OTHERWISE SPECIFIED, ALL DIMENSIONS ARE IN INCHES AND TOLERANCES ARE AS SHOWN BELOW. DIMENSIONAL TOLERANCES AND SYMBOLS PER ANSI Y14.5M-1982.

PROPRIETARY PARTS SHOWN IN THIS DRAWING ARE THE SUBJECT OF ISSUED UNITED STATES AND FOREIGN PATENTS AND PATENTS PENDING. UNAUTHORIZED REPRODUCTION AND/OR DISTRIBUTION OF THIS DRAWING IS SPECIFICALLY PROHIBITED.

CLICK BOND

CARSON CITY
NEVADA 89706

| APPROVALS | | DATE | TITLE | | | | |
|-----------|-------|--------------|---------|---|-----------|----------|--------------|
| ANGLES | ±1° | DRAWN MGV | 13AUG96 | STANDOFF, LOCKING THREAD, REVERSE MOUNTED | | | |
| .XX | ±.03 | CHECKED DAC | 13AUG96 | SIZE | CAGE CODE | DWG. NO. | REV. |
| .XXX | ±.010 | RELEASED CGH | 13AUG96 | A | 66530 | CB4033 | 0 |
| .XXXX | ±.001 | REVISED | | SCALE | 1/1 | 12AUG96 | SHEET 1 OF 1 |