

BASEPLATE MATERIAL

CODE	MATERIAL	FINISH
C	CARBON/EPOXY, 350°F	ABRASIVE CLEAN
G	GLASS/EPOXY, 250°F	ABRASIVE CLEAN
E	GLASS/EPOXY, 350°F	ABRASIVE CLEAN

SADDLE MATERIAL: LIQUID CRYSTAL POLYMER

LENGTH L DATA

CODE	L ±.030
8	.500
12	.750
16	1.000
24	1.500

EXAMPLE PART NUMBER

CB4024 G 16

↑ LENGTH L - 1.00 INCH  
 ↑ BASEPLATE MATERIAL - GLASS/EPOXY, 250°F  
 ↑ BASIC PART NUMBER

UNLESS OTHERWISE SPECIFIED, ALL DIMENSIONS ARE IN INCHES AND TOLERANCES ARE AS SHOWN BELOW. DIMENSIONAL TOLERANCES AND SYMBOLS PER ANSI Y14.5M-1982.

PROPRIETARY PARTS SHOWN IN THIS DRAWING ARE THE SUBJECT OF ISSUED UNITED STATES AND FOREIGN PATENTS AND PATENTS PENDING. UNAUTHORIZED REPRODUCTION AND/OR DISTRIBUTION OF THIS DRAWING IS SPECIFICALLY PROHIBITED.

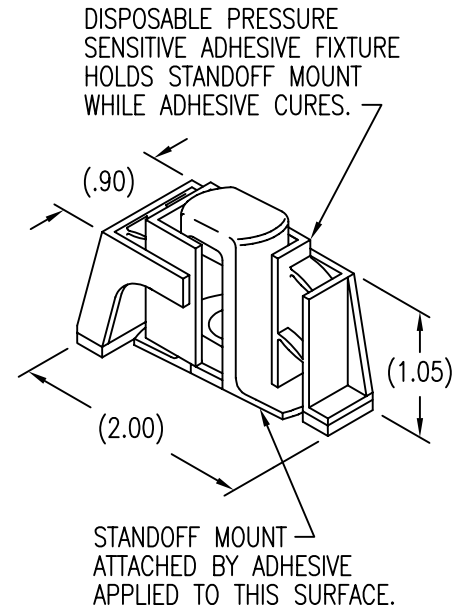
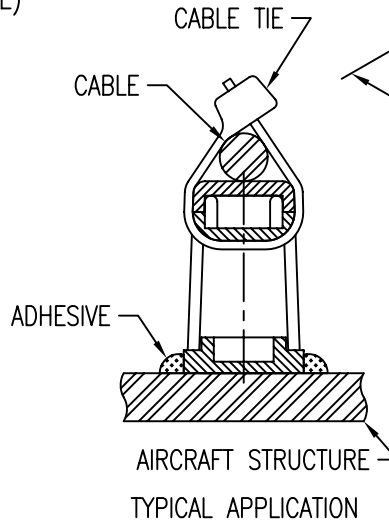
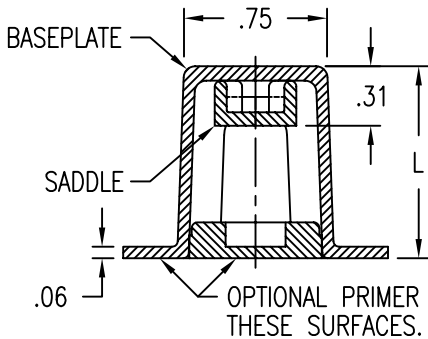
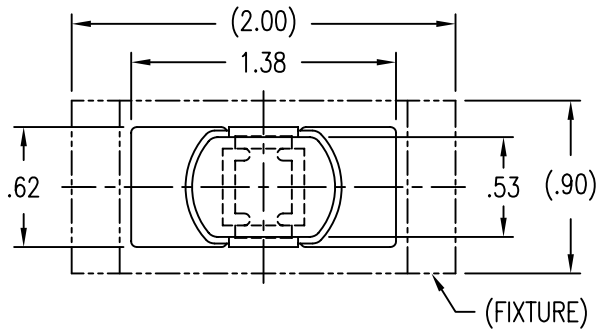
**GLICK BOND**

CARSON CITY  
NEVADA 89706

CAD CB4024-1

APPROVALS	DATE
DRAWN <b>BPerez</b>	22NOV04
CHECKED <b>JOC</b>	22NOV04
RELEASED <b>CGH</b>	22NOV04
REVISED <b>BPerez</b>	22NOV04

TITLE			
MOUNT, STANDOFF, CABLE TIE, COMPOSITE			
SIZE	CAGE CODE	DWG. NO.	REV.
A	66530	CB4024	4
SCALE	1/1	22NOV04	SHEET 1 OF 2



BASEPLATE MATERIAL

CODE	MATERIAL	FINISH
V	GLASS/POLYETHERIMIDE	ABRASIVE CLEAN

OPTIONAL PRIMER

CODE	BASEPLATE PRIMER	SPEC.
P	EPOXY PRIMER	MIL-PRF-85582

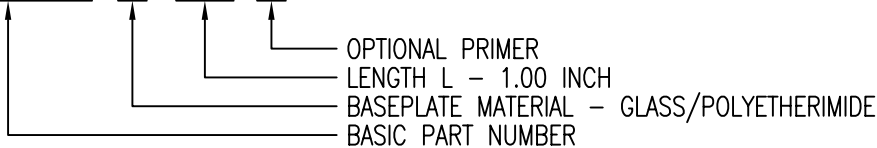
SADDLE MATERIAL: LIQUID CRYSTAL POLYMER

LENGTH L DATA

CODE	L ±.030
8	.500
12	.750
16	1.000
24	1.500
32	2.000

EXAMPLE PART NUMBER

CB4024 V 16 P



UNLESS OTHERWISE SPECIFIED, ALL DIMENSIONS ARE IN INCHES AND TOLERANCES ARE AS SHOWN BELOW. DIMENSIONAL TOLERANCES AND SYMBOLS PER ANSI Y14.5M-1982.

PROPRIETARY PARTS SHOWN IN THIS DRAWING ARE THE SUBJECT OF ISSUED UNITED STATES AND FOREIGN PATENTS AND PATENTS PENDING. UNAUTHORIZED REPRODUCTION AND/OR DISTRIBUTION OF THIS DRAWING IS SPECIFICALLY PROHIBITED.

**GLICK BOND**

CARSON CITY  
NEVADA 89706

CAD CB4024-2	
ANGLES	±1°
.XX	±.03
.XXX	±.010
.XXXX	±.001

APPROVALS	DATE
DRAWN <b>BPerez</b>	22NOV04
CHECKED <b>DOC</b>	22NOV04
RELEASED <b>CGH</b>	22NOV04
REVISED <b>BPerez</b>	22NOV04

TITLE MOUNT, STANDOFF, CABLE TIE, COMPOSITE			
SIZE A	CAGE CODE 66530	DWG. NO. CB4024	REV. 4
SCALE 1/1	22NOV04	SHEET 2	OF 2