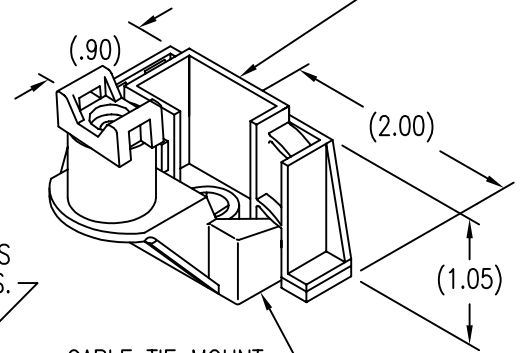


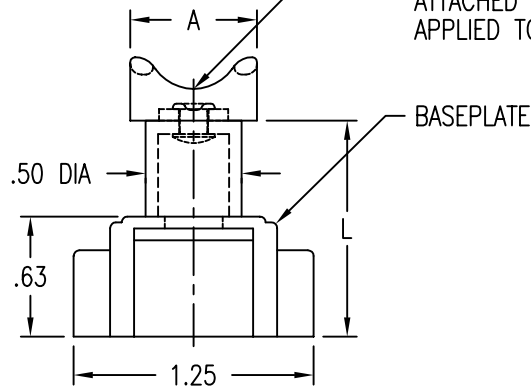
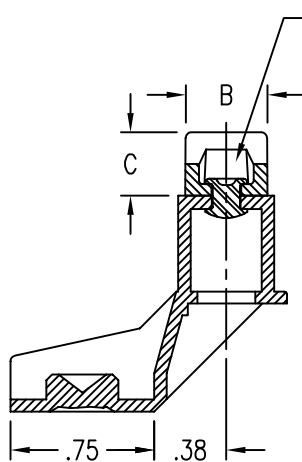
DISPOSABLE PRESSURE SENSITIVE ADHESIVE FIXTURE HOLDS CABLE TIE MOUNT WHILE ADHESIVE CURES.



MOUNT SWIVELS 360° ABOUT AXIS.

D REF - OPENING ACCEPTS CABLE TIES UP TO WIDTH D.

CABLE TIE MOUNT ATTACHED BY ADHESIVE APPLIED TO THIS SURFACE.



MATERIAL AND FINISH DATA

CODE	MOUNT MATERIAL	SPEC.	COLOR
N	NYLON, NATURAL	ASTM D4066 OR EQUAL	NATURAL
NB	NYLON, BLACK, STABILIZED	ASTM D4066 OR EQUAL	BLACK
T	TEFZEL	FLUOROPOLYMER	BLUE
V	ULTEM	ULTEM 1000 OR EQUAL	NATURAL

DIMENSION DATA

CODE	L	WEIGHT (LB/100)
10	.63	
18	1.13	
22	1.38	
24	1.50	
28	1.75	
32	2.00	
34	2.13	

CODE	BASEPLATE MATERIAL	FINISH
V	GLASS/THERMOPLASTIC, 350°F	ABRASIVE CLEAN

DIMENSION DATA

SIZE CODE	MAX TIE WIDTH D REF	MOUNT DIMENSIONS		
		A	B	C
2	.100	.56	.34	.27
3	.190	.67	.44	.33
5	.350	.92	.56	.42

EXAMPLE PART NUMBER

CB4013 V 3 V 18

↑ BASIC PART NUMBER
 ↑ MOUNT MATERIAL - ULTEM
 ↑ MOUNT SIZE
 ↑ BASEPLATE MATERIAL - GLASS/THERMOPLASTIC, 350°F
 ↑ LENGTH L - 1.13

UNLESS OTHERWISE SPECIFIED, ALL DIMENSIONS ARE IN INCHES AND TOLERANCES ARE AS SHOWN BELOW. DIMENSIONAL TOLERANCES AND SYMBOLS PER ANSI Y14.5M-1982.

PROPRIETARY PARTS SHOWN IN THIS DRAWING ARE THE SUBJECT OF ISSUED UNITED STATES AND FOREIGN PATENTS AND PATENTS PENDING. UNAUTHORIZED REPRODUCTION AND/OR DISTRIBUTION OF THIS DRAWING IS SPECIFICALLY PROHIBITED.

GLICK BOND

CARSON CITY
NEVADA 89706

APPROVALS	DATE
DRAWN DAC	23JUL01
CHECKED DAC	23JUL01
RELEASED CGH	23JUL01
REVISED	

TITLE			
MOUNT, CABLE TIE, OFFSET STANDOFF BASEPLATE			
SIZE	CAGE CODE	DWG. NO.	REV.
A	66530	CB4013	0
SCALE	1/1	23JUL01	SHEET 1 OF 1