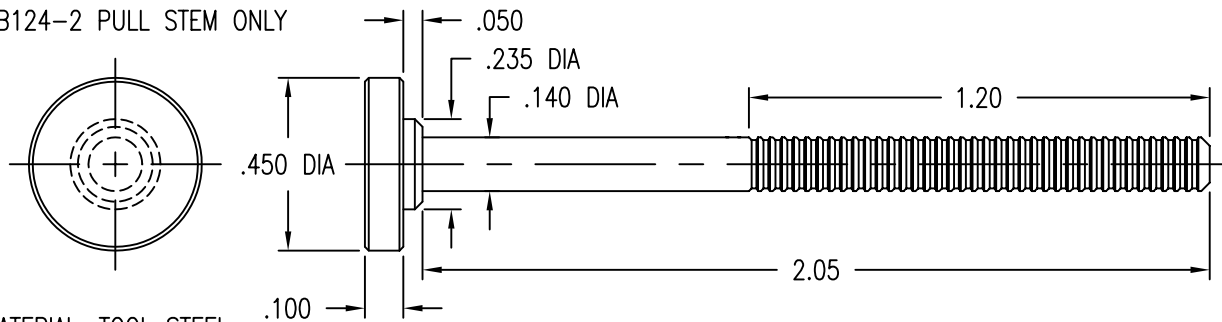
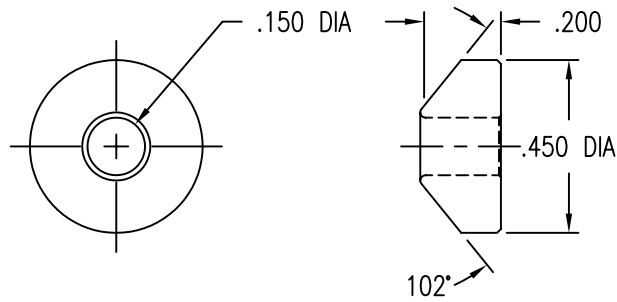


CB124-2 PULL STEM ONLY



MATERIAL: TOOL STEEL

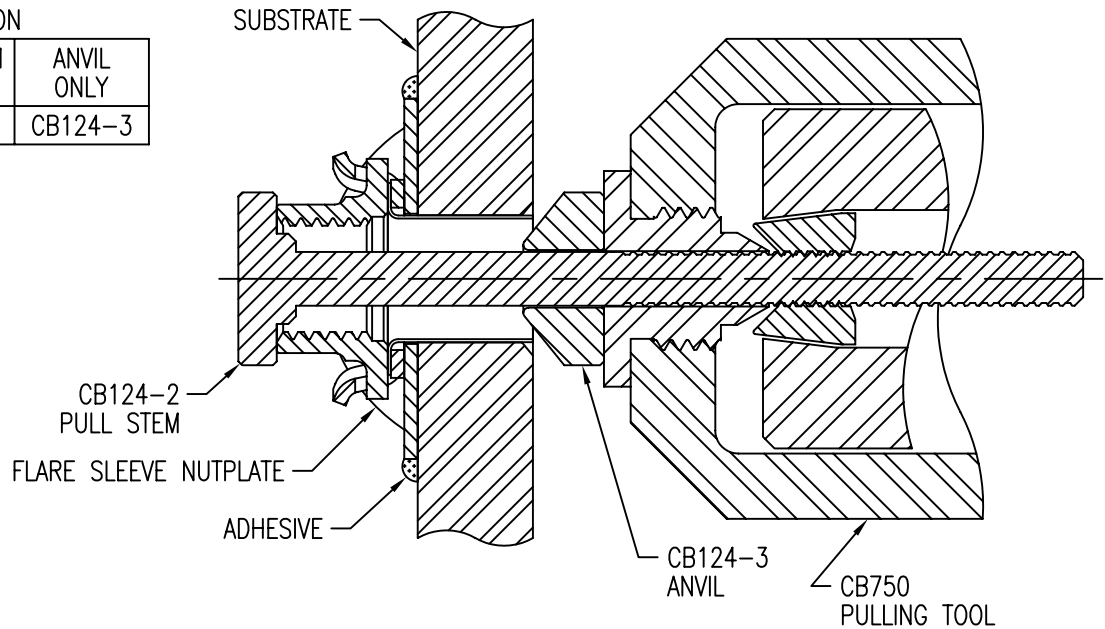
CB124-3 ANVIL ONLY



MATERIAL: TOOL STEEL

PART NUMBER DESIGNATION

PULL STEM WITH ANVIL	PULL STEM ONLY	ANVIL ONLY
CB124-1	CB124-2	CB124-3



PART NUMBER

CB124-1

PART DESIGNATION - PULL STEM & ANVIL ASSEMBLY  
BASIC PART NUMBER

UNLESS OTHERWISE SPECIFIED, ALL DIMENSIONS ARE IN INCHES AND TOLERANCES ARE AS SHOWN BELOW. DIMENSIONAL TOLERANCES AND SYMBOLS PER ANSI Y14.5M-1982.

PROPRIETARY PARTS SHOWN IN THIS DRAWING ARE THE SUBJECT OF ISSUED UNITED STATES AND FOREIGN PATENTS AND PATENTS PENDING. UNAUTHORIZED REPRODUCTION AND/OR DISTRIBUTION OF THIS DRAWING IS SPECIFICALLY PROHIBITED.

**GLICK BOND**

CARSON CITY  
NEVADA 89706

		APPROVALS	DATE
ANGLES	±1°	DRAWN <b>BPerez</b>	14APR04
.XX	±.03	CHECKED <b>DOC/mtm</b>	14APR04
.XXX	±.010	RELEASED <b>CGH</b>	14APR04
.XXXX	±.001	REVISED	

TITLE TOOL, FLARING, SIZE 5 SLEEVE			
SIZE	CAGE CODE	DWG. NO.	REV.
A	66530	CB124	0
SCALE	2/1	14APR04	SHEET 1 OF 1