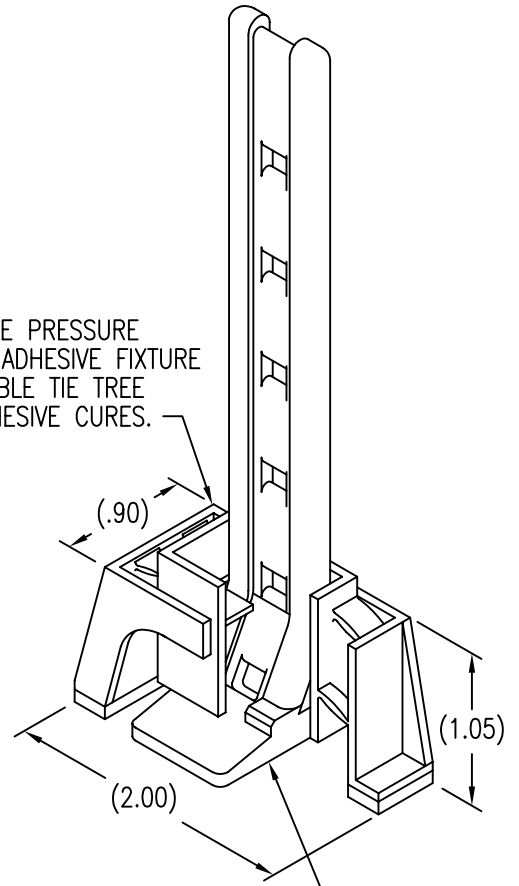


DISPOSABLE PRESSURE SENSITIVE ADHESIVE FIXTURE HOLDS CABLE TIE TREE WHILE ADHESIVE CURES.



CABLE TIE TREE ATTACHED BY ADHESIVE APPLIED TO THIS SURFACE.

MATERIAL DATA

CODE	MATERIAL	FINISH
V	GLASS/THERMOPLASTIC, 350°F	ABRASIVE CLEAN
VC	CARBON/THERMOPLASTIC, 350°F	ABRASIVE CLEAN

LENGTH DATA

CODE	LENGTH L	NUMBER OF CABLE TIE MOUNTING LOCATIONS
1	1.02	1
2	1.75	2
3	2.48	3
4	3.21	4
5	3.94	5
NONE	4.68	6

EXAMPLE PART NUMBER

CB9257 V 3

LENGTH CODE L - 2.480 = 3 MOUNTING LOCATIONS
 MATERIAL - GLASS/THERMOPLASTIC, 350°F
 BASIC PART NUMBER

UNLESS OTHERWISE SPECIFIED, ALL DIMENSIONS ARE IN INCHES AND TOLERANCES ARE AS SHOWN BELOW. DIMENSIONAL TOLERANCES AND SYMBOLS PER ANSI Y14.5M-1982.

PROPRIETARY PARTS SHOWN IN THIS DRAWING ARE THE SUBJECT OF ISSUED UNITED STATES AND FOREIGN PATENTS AND PATENTS PENDING. UNAUTHORIZED REPRODUCTION AND/OR DISTRIBUTION OF THIS DRAWING IS SPECIFICALLY PROHIBITED.

GLICK BOND

CARSON CITY
NEVADA 89706

APPROVALS		DATE	TITLE			
ANGLES	±1°	DRAWN BSP	CABLE TIE TREE			
.XX	±.03	CHECKED DAC	SIZE	CAGE CODE	DWG. NO.	REV.
.XXX	±.010	RELEASED CGH	A	66530	CB9257	2
.XXXX	±.001	REVISED BSP	SCALE	1/1 8FEB02		SHEET 1 OF 1