

## ATLAS® SERIES 800 AND 900 SPIN-SPIN TOOLS

- Totally pneumatic tool that installs ATLAS SpinTite® and pre-bulbed Plus+Tite® fasteners into various material thickness.

### Series 800 tools

Also available Series 806 tool with adjustable clutch to install #4-40 to 1/4-20 thread sizes.



901 902, 903 and 904 In-line tools



911, 912 and 913 Right angle tools

|        | Thread Size | Complete Tool Part No. Series 800 | Complete Tool Part No. 901, 902 903 & 904 | (1) Tool RPM | Air Settings<br>Fastener Material |                               |                               | Nose Assembly Components<br>For Internally Threaded Nuts |                               |                   | Stud Series Part No. For Nose Assembly |
|--------|-------------|-----------------------------------|-------------------------------------------|--------------|-----------------------------------|-------------------------------|-------------------------------|----------------------------------------------------------|-------------------------------|-------------------|----------------------------------------|
|        |             |                                   |                                           |              | Steel & Brass                     | Aluminum                      | MONEL®                        | Part No. For Complete Nose Assembly                      | Mandrel Socket Head Cap Screw | Bearing Set (P/N) |                                        |
|        |             |                                   |                                           |              | Dynamic Air Pressure Settings     | Dynamic Air Pressure Settings | Dynamic Air Pressure Settings |                                                          |                               |                   |                                        |
| PSI    | #4-40       | AE801-440                         | AE901-440                                 | 3000         | 35 - 45                           | 30 - 40                       | 35 - 45                       | AENP-440                                                 | 440 x 1.50"                   | AEPB-4            | AESNP-440                              |
|        | #6-32       | AE801-632                         | AE901-632                                 | 3000         | 70 - 80                           | 60 - 80                       | 70 - 80                       | AENP-632                                                 | 632 x 1.50"                   | AEPB-6            | AESNP-632                              |
|        | #8-32       | AE801-832                         | AE901-832                                 | 3000         | 70 - 90                           | 50 - 70                       | 70 - 90                       | AENP-832                                                 | 832 x 1.50"                   | AEPB-8            | AESNP-832                              |
|        | #10-24      | AE802-1024                        | AE902-1024                                | 1500         | 60 - 90                           | 40 - 70                       | 60 - 90                       | AENP-1024                                                | 1024 x 1.75"                  | AEPB-10           | AESNP-1024                             |
|        | #10-32      | AE802-1032                        | AE902-1032                                | 1500         | 60 - 90                           | 40 - 70                       | 60 - 90                       | AENP-1032                                                | 1032 x 1.75"                  | AEPB-10           | AESNP-1032                             |
|        | 1/4-20      | AE803-2520                        | AE903-2520                                | 600          | 70 - 90                           | 60 - 80                       | 70 - 95                       | AENP-2520                                                | 420 x 1.50"                   | AEPB-25           | AESNP-2520                             |
|        | 1/4-28      | AE803-2528                        | AE903-2528                                | 600          | 70 - 90                           | 60 - 80                       | 70 - 95                       | AENP-2528                                                | 428 x 1.50"                   | AEPB-25           | AESNP-2528                             |
|        | 5/16-18     | AE804-3118                        | AE904-3118                                | 400          | 70 - 110                          | 60 - 90                       | 70 - 110                      | AENP-3118                                                | 518 x 2.00"                   | AEPB-31           | AESNP-3118                             |
|        | 5/16-24     | AE804-3124                        | AE904-3124                                | 400          | 70 - 110                          | 60 - 90                       | 70 - 110                      | AENP-3124                                                | 524 x 2.00"                   | AEPB-31           | AESNP-3124                             |
|        | 3/8-16      | AE804-3716                        | AE904-3716                                | 400          | 70 - 110                          | 60 - 90                       | 70 - 110                      | AENP-3716                                                | 616 x 2.00"                   | AEPB-37           | AESNP-3716                             |
|        | 3/8-24      | AE804-3724                        | AE904-3724                                | 400          | 70 - 110                          | 60 - 90                       | 70 - 110                      | AENP-3724                                                | 624 x 2.00"                   | AEPB-37           | AESNP-3724                             |
|        | 1/2-13      | AE808-5013                        | —                                         | 275          | 75 - 120                          | 60 - 90                       | 75 - 110                      | AENP-5013                                                | 813 x 2.50"                   | AEPB-50           | —                                      |
| 1/2-20 | AE808-5020  | —                                 | 275                                       | 75 - 120     | 60 - 90                           | 75 - 110                      | AENP-5020                     | 820 x 2.50"                                              | AEPB-50                       | —                 |                                        |
| BARS   | M3          | AE801-M3                          | AE901-M3                                  | 3000         | 2.4 - 3.1                         | 2.1 - 2.7                     | 2.4 - 3.1                     | AENP-M3                                                  | M3 x 40mm                     | AEPB-M3           | AESNP-M3                               |
|        | M4          | AE801-M4                          | AE901-M4                                  | 3000         | 2.4 - 3.1                         | 3.4 - 4.8                     | 4.8 - 6.2                     | AENP-M4                                                  | M4 x 40mm                     | AEPB-M4           | AESNP-M4                               |
|        | M5          | AE802-M5                          | AE902-M5                                  | 1500         | 4.8 - 5.5                         | 2.7 - 4.8                     | 4.1 - 6.2                     | AENP-M5                                                  | M5 x 45mm                     | AEPB-M5           | AESNP-M5                               |
|        | M6          | AE803-M6                          | AE903-M6                                  | 600          | 4.1 - 5.5                         | 4.1 - 5.5                     | 4.8 - 6.5                     | AENP-M6                                                  | M6 x 40mm                     | AEPB-M6           | AESNP-M6                               |
|        | M8          | AE804-M8                          | AE904-M8                                  | 400          | 4.8 - 6.2                         | 4.1 - 6.2                     | 4.8 - 7.5                     | AENP-M8                                                  | M8 x 50mm                     | AEPB-M8           | AESNP-M8                               |
|        | M10         | AE804-M10                         | AE904-M10                                 | 400          | 4.1 - 7.5                         | 4.1 - 6.2                     | 4.8 - 7.5                     | AENP-M10                                                 | M10 x 50mm                    | AEPB-M10          | AESNP-M10                              |
|        | M12         | AE808-M12                         | —                                         | 275          | 4.1 - 7.5                         | 4.1 - 6.2                     | 5.1 - 7.5                     | AENP-M12                                                 | M12 x 60mm                    | AEPB-M12          | —                                      |

(1) Also available - 900 RPM Series 805 tool.

|     | Thread Size | Complete Tool Part No. 911, 912 & 913 | Tool RPM | Air Settings<br>Fastener Material |                               |                               | Nose Assembly Components<br>For Internally Threaded Nuts |                               |                   | Stud Series Part No. For Nose Assembly |
|-----|-------------|---------------------------------------|----------|-----------------------------------|-------------------------------|-------------------------------|----------------------------------------------------------|-------------------------------|-------------------|----------------------------------------|
|     |             |                                       |          | Steel & Brass                     | Aluminum                      | MONEL®                        | Part No. For Complete Nose Assembly                      | Mandrel Socket Head Cap Screw | Bearing Set (P/N) |                                        |
|     |             |                                       |          | Dynamic Air Pressure Settings     | Dynamic Air Pressure Settings | Dynamic Air Pressure Settings |                                                          |                               |                   |                                        |
| PSI | #4-40       | AE911-440                             | 2200     | 35 - 45                           | 30 - 40                       | 35 - 45                       | AENP-440                                                 | 440 x 1.50"                   | AEPB-4            | AESNP-440                              |
|     | #6-32       | AE911-632                             | 2200     | 60 - 80                           | 40 - 70                       | 60 - 80                       | AENP-632                                                 | 632 x 1.50"                   | AEPB-6            | AESNP-632                              |
|     | #8-32       | AE911-832                             | 2200     | 60 - 90                           | 40 - 70                       | 60 - 90                       | AENP-832                                                 | 832 x 1.50"                   | AEPB-8            | AESNP-832                              |
|     | #10-24      | AE911-1024                            | 2200     | 60 - 90                           | 40 - 70                       | 60 - 90                       | AENP-1024                                                | 1024 x 1.75"                  | AEPB-10           | AESNP-1024                             |
|     | #10-32      | AE911-1032                            | 2200     | 60 - 90                           | 40 - 70                       | 60 - 90                       | AENP-1032                                                | 1032 x 1.75"                  | AEPB-10           | AESNP-1032                             |
|     | 1/4-20      | AE912-2520                            | 1100     | 60 - 90                           | 50 - 80                       | 70 - 95                       | AENP-2520                                                | 420 x 1.50"                   | AEPB-25           | AESNP-2520                             |
|     | 1/4-28      | AE912-2528                            | 1100     | 70 - 90                           | 50 - 80                       | 70 - 95                       | AENP-2528                                                | 428 x 1.50"                   | AEPB-25           | AESNP-2528                             |
|     | 5/16-18     | AE913-3118                            | 400      | 70 - 110                          | 60 - 90                       | 70 - 110                      | AENP-3118                                                | 518 x 2.00"                   | AEPB-31           | AESNP-3118                             |
|     | 5/16-24     | AE913-3124                            | 400      | 70 - 110                          | 60 - 90                       | 70 - 110                      | AENP-3124                                                | 524 x 2.00"                   | AEPB-31           | AESNP-3124                             |
|     | 3/8-16      | AE913-3716                            | 400      | 70 - 110                          | 60 - 90                       | 70 - 110                      | AENP-3716                                                | 616 x 2.00"                   | AEPB-37           | AESNP-3716                             |
|     | 3/8-24      | AE913-3724                            | 400      | 70 - 110                          | 60 - 90                       | 70 - 110                      | AENP-3724                                                | 624 x 2.00"                   | AEPB-37           | AESNP-3724                             |
|     | BARS        | M3                                    | AE911-M3 | 2200                              | 2.4 - 3.1                     | 2.1 - 2.7                     | 2.4 - 3.1                                                | AENP-M3                       | M3 x 40mm         | AEPB-M3                                |
| M4  |             | AE911-M4                              | 2200     | 2.4 - 3.1                         | 2.7 - 4.8                     | 4.1 - 6.2                     | AENP-M4                                                  | M4 x 40mm                     | AEPB-M4           | AESNP-M4                               |
| M5  |             | AE911-M5                              | 2200     | 4.1 - 5.5                         | 2.7 - 4.8                     | 4.1 - 6.2                     | AENP-M5                                                  | M5 x 45mm                     | AEPB-M5           | AESNP-M5                               |
| M6  |             | AE912-M6                              | 1100     | 4.1 - 5.5                         | 4.1 - 5.5                     | 4.8 - 7.5                     | AENP-M6                                                  | M6 x 40mm                     | AEPB-M6           | AESNP-M6                               |
| M10 |             | AE913-M10                             | 400      | 4.1 - 7.5                         | 4.1 - 6.2                     | 4.8 - 7.5                     | AENP-M10                                                 | M10 x 50mm                    | AEPB-M10          | AESNP-M10                              |

**NOTE:** The air supplied to the 800 and 900 series tools should be dry and free of contamination to prevent premature wear and tear of the internal components. We suggest use of a filter, pressure regulator, and oiler system to be located in close proximity to the tool. All available thread sizes may not be listed. Contact us for availability. Optional mandrel lengths are also available for all product families. The air settings reported are suggested guidelines. Adjustments may be necessary for your application.

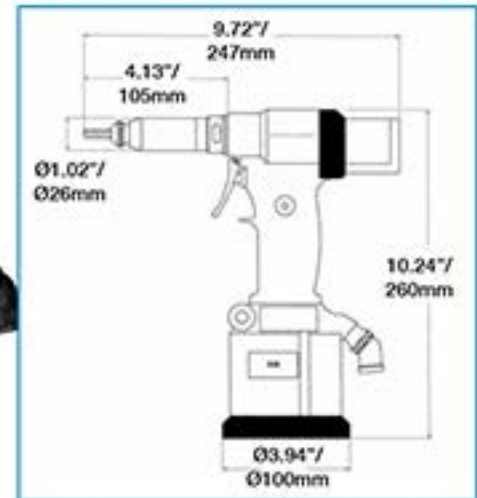
## ATLAS® RIV938 PULL-TO-PRESSURE TOOL

The pressure controlled installation of the ATLAS® RIV938 pull-to-pressure tool assures consistent installations and improves mandrel life.

- Pressure controlled setting allows the installation of the same insert into various material thickness without any adjustment of the tool.
- Pull-to-pressure feature extends mandrel life.
- Mandrel is a hardened socket head cap screw which is easy to replace when necessary.
- The auto-reverse feature after installation increases production rate.
- Eliminates over installing and double installing ensuring fastener thread integrity.



Installs  
ATLAS® Stud  
Series



RIV938 (4143400 tool only) - nose pieces sold separately.

RIV938-UN (unified kit) - includes a gun and tooling to install thread sizes #6-32, #8-32, #10-32, 1/4-20, 5/16-18, and 3/8-16.

RIV938-MT (metric kit) - includes a gun and tooling to install thread sizes M4 through M10.

| Tool Specifications |                                      |                       |                    |             |                        |                         |             |
|---------------------|--------------------------------------|-----------------------|--------------------|-------------|------------------------|-------------------------|-------------|
|                     | Thread Sizes                         | Weight <sup>(1)</sup> | Air <sup>(2)</sup> | Air Use     | Minimum Hose Size I.D. | Max. Axial Pulling Load | Max. Stroke |
| UNIFIED             | #4 to 3/8" (female threaded inserts) | 4 lbs.                | 90 PSI             | 305 cu. in. | 3/8"                   | 4271 lbs. @ 90 PSI      | .256"       |
|                     | #8 to 5/16" (male threaded inserts)  |                       |                    |             |                        |                         |             |
| METRIC              | M3 to M10 (female threaded inserts)  | 1.8 kg.               | 6 BAR              | 5 liters    | 9.5 mm                 | 19 kN @ 6 BAR           | 6.5 mm      |
|                     | M4 to M8 (male threaded inserts)     |                       |                    |             |                        |                         |             |

(1) With nose piece.

(2) Dynamic air pressure for unified tool is 70 to 100 PSI and 5 to 7 BAR for the metric tool. Do not exceed these values or tool can be damaged. The use of a pressure regulator is recommended. See preset in-line pressure regulator on page 48.

### UNIFIED NOSE ASSEMBLY PART NUMBERS

| Thread Size | Part No. For Complete Insert Nose Assembly | Part No. For Complete Stud Nose Assembly | Part No. For Replacement SHCS / Mandrel <sup>(3)</sup> |
|-------------|--------------------------------------------|------------------------------------------|--------------------------------------------------------|
| #4-40       | 4326700                                    | —                                        | MC-91251A078 (50/box)                                  |
| #6-32       | 3755100                                    | —                                        | IN-14328 (100/box)                                     |
| #8-32       | 3755500                                    | 4361900                                  | IN-03190 (100/box)                                     |
| #10-24      | —                                          | 4555100                                  | IN-08823 (100/box)                                     |
| #10-32      | 3755900                                    | 4362000                                  | IN-07085 (100/box)                                     |
| 1/4-20      | 3756100                                    | 4362100                                  | IN-05336 (100/box)                                     |
| 1/4-28      | —                                          | —                                        | IN-08057 (100/box)                                     |
| 5/16-18     | 3756300                                    | 4362200                                  | IN-04153 (100/box)                                     |
| 5/16-24     | —                                          | —                                        | IN-10834 (100/box)                                     |
| 3/8-16      | 3756700                                    | —                                        | IN-15776 (100/box)                                     |
| 3/8-24      | —                                          | —                                        | IN-16488 (50/box)                                      |

(3) Replacement mandrels sold in box quantities shown above.

### METRIC NOSE ASSEMBLY PART NUMBERS

| Thread Size | Part No. For Complete Insert Nose Assembly | Part No. For Complete Stud Nose Assembly | Part No. For Replacement SHCS / Mandrel <sup>(3)</sup> |
|-------------|--------------------------------------------|------------------------------------------|--------------------------------------------------------|
| M3          | 3441100                                    | —                                        | IN-06219 (200/box)                                     |
| M4          | 3441200                                    | 3442300                                  | IN-03023 (200/box)                                     |
| M5          | 3441300                                    | 3442400                                  | IN-03038 (200/box)                                     |
| M6          | 3441400                                    | 3442500                                  | IN-13128 (200/box)                                     |
| M8          | 3441500                                    | 3442600                                  | IN-21070 (100/box)                                     |
| M10         | 3441600                                    | 4601900                                  | IN-03088 (100/box)                                     |

Available on request

Anti-scratch wing protection  
Part Number 4217600.

Security cap for air pressure regulator  
Part Number FE-TS-938-SC-S