

# 2630

## 2630 Hydraulic Installation Tool

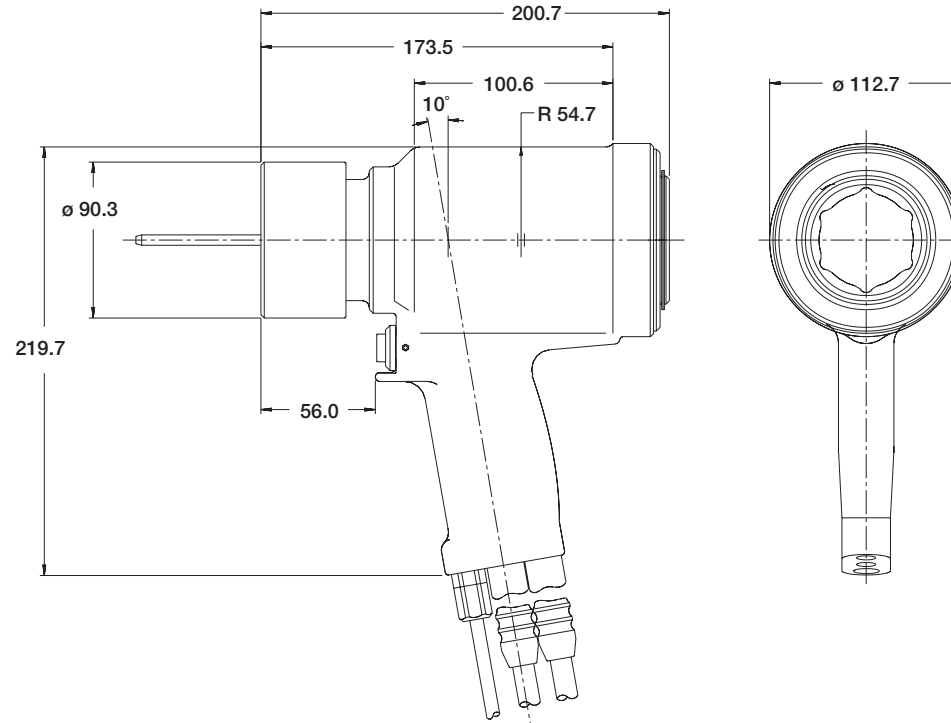
### Specifications

*Weight:*  
9.75 kg (21.5 lbs.)

*Stroke:*  
48.4mm (1.91")

*Max Operating Hydraulic Pressures:*  
Pull-510 bar (7,400 psi)  
Return-221 bar (3,200 psi)

*Capacity:*  
216 kN @ 448 bar  
(48,614 lbs @ 6,500 psi)



# HUCK® INTERACTIVE CD ROM : NOSE ASSEMBLY TABLE

## 2630

---

### Some Nose Assemblies & Fasteners for use with the 2603 tool

---

Type	Diameter	Nose Assembly
C50L	22.2mm (7/8")	99-5014, 99-5015
HUCK-FIT	20mm	99-5414

---