

# HUCK® INTERACTIVE CD ROM : SPECIFICATIONS

## 245

### 245 Pneudraulic Powered Installation Tool

#### Specifications

*Weight:*

3.99 kg (8.8 lbs.)

*Required Air Pressure:*

6.21-6.9 bar (90-100 psi)

*Stroke:*

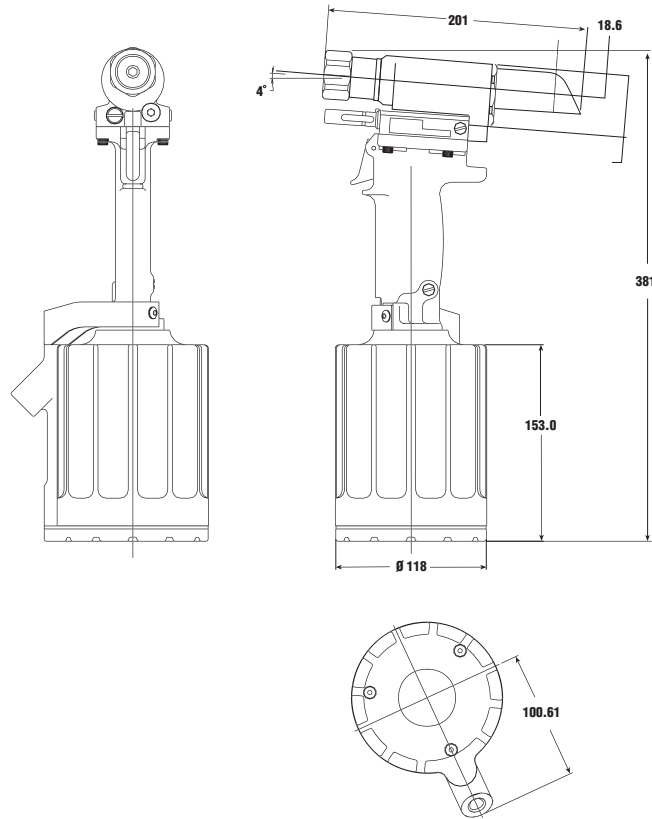
15.9 mm (0.625")

*Air Consumption:*

11.5 CFM (326 l/min) based on  
30 cycles per minute

*Capacity:*

34.47 kN @ 6.21 bar  
(7750 lbs @ 90 psi)



## HUCK® INTERACTIVE CD ROM : NOSE ASSEMBLY TABLE

# 245

### Some Fasteners & Nose assemblies for use with the 245 Tool

Type	Diameter	Nose Assembly
BOM	4.8 mm (3/16")	<b>99-1053</b>
	6.4 mm (1/4")	<b>99-830-1</b>
MAGNA-LOK	9.5 mm (3/8")	<b>99-3318</b>
MAGNA-BULB	7.9 mm (5/16")	<b>99-3307</b>
C6L/C120L	4.8 mm (3/16")	99-2558, 99-2559
	6.4 mm (1/4")	99-2564, 99-2565
	7.9 mm (5/16")	<b>99-99-245</b>
	9.5 mm (3/8")*	<b>99-100-245</b> , 99-100-1D2
MAGNA-GRIP	4.8 mm (3/16")	99-3206
	6.4 mm (1/4")	99-3207
	7.9 mm (5/16")	<b>99-1439</b>
	9.5 mm (3/8")*	<b>99-1440</b>
HUCKTAINER	9.5 mm (3/8")	99-3438

Items in **bold** are part of our FOCUS Tooling Range

\* Aluminium Only