

241E

241E

Pneudraulic Installation Tool

Specifications

Weight:

2.5 kg (5.5 lbs.)

Stroke:

23 mm (0.905")

Required Air Pressure:

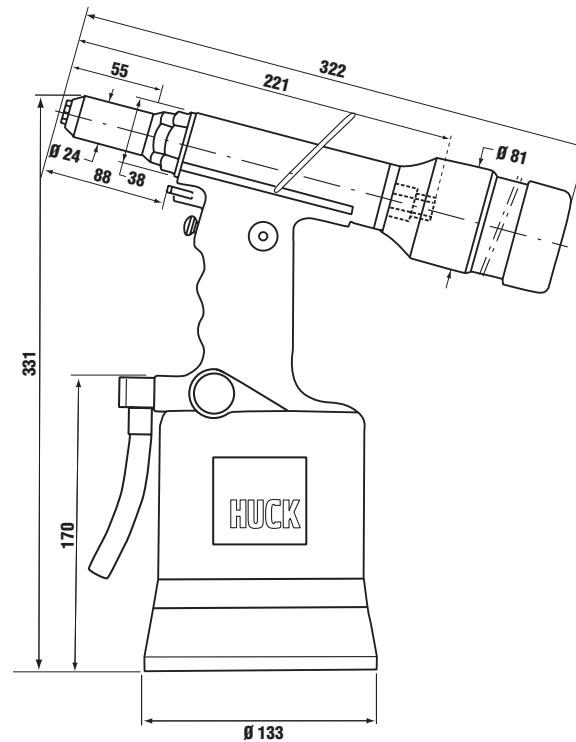
5.52-6.21 bar (80-90 psi)

Air Consumption per Cycle:

1.61 l/min @ 6 bar
(0.057 ft³ @ 87 psi)

Capacity:

19.57 kN @ 87 bar
(4400 lbs @ 87 psi)



HUCK® INTERACTIVE CD ROM : NOSE ASSEMBLY TABLE

241E

Some Fasteners for use with the 241E Tool

Type	Diameter	Nose Assembly
MAGNA-LOK	4.8 mm (3/16")	Integral Nose Assembly and Anvil Inserts supplied with Tool
	6.4 mm (1/4")	
MAGNA-BULB	4.8 mm (3/16")	
	6.4 mm (1/4")	
AUTO-BULB	4.8 mm (3/16")	
	6.4 mm (1/4")	
HUCKLOK	6.4 mm (1/4")	
