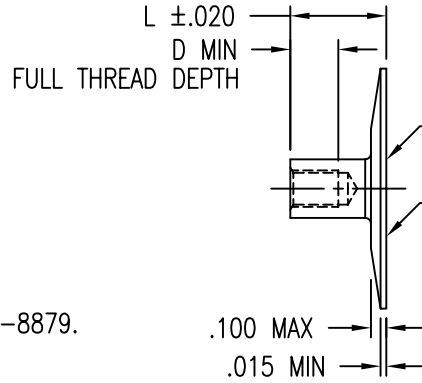
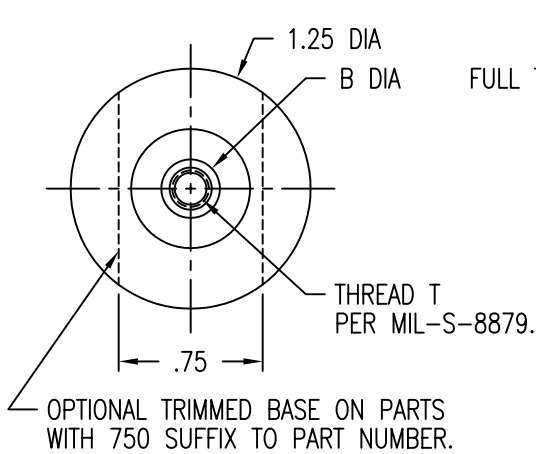
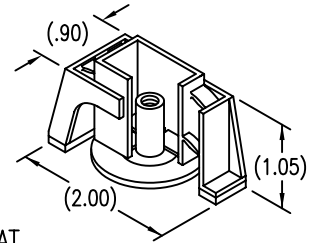


STANDOFF STRAIGHT WITHIN .004 INCH PER INCH OF LENGTH.
 PITCH DIAMETER CONCENTRIC WITH BASE O.D. WITHIN .020 FIM.
 PITCH DIAMETER PERPENDICULAR TO BASE WITHIN ±1 DEG.

DISPOSABLE PRESSURE SENSITIVE ADHESIVE
 FIXTURE HOLDS STANDOFF WHILE ADHESIVE CURES.

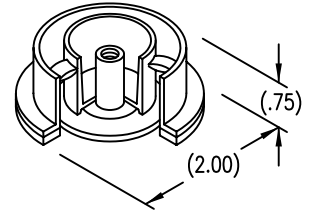


STANDARD
 FIXTURE



OPTIONAL PRIMER
 THIS SURFACE.
 BASE SURFACE FLAT
 WITHIN .010 FIM.

FOR OPTIONAL
 ROUND FIXTURE
 ADD SUFFIX R
 TO PART NUMBER



LENGTH L DATA (LENGTH L IN SIXTEENTHS OF AN INCH)

CODE	6	7	8	9	10	11	12	13	14	15	16	17	18	20	22	24
L	.375	.437	.500	.562	.625	.687	.750	.812	.875	.937	1.000	1.062	1.125	1.250	1.375	1.500
D MIN	.187		.250			.312										

STANDOFF MATERIAL AND FINISH DATA

CODE	STANDOFF MATERIAL	SPEC.	FINISH	SPEC.
A	2024 OR 6061	QQ-A-200, QQ-A-225, OR QQ-A-250	NONE	
AA	ALUMINUM		ANODIZE	MIL-A-8625
CR	302, 303, 304 CRES OR A-286 CRES	AMS 5513, 5516, 5636, 5637, 5638, 5639, 5640, 5641, OR 5647 AMS 5525, 5726, 5731, 5732, 5734, OR 5737 (CHEMISTRY ONLY)	PASSIVATE	QQ-P-35
CRA	A-286 CRES	AMS 5525, 5726, 5731, 5732, 5734, OR 5737 (CHEMISTRY ONLY)	PASSIVATE	QQ-P-35
T	6AL-4V TITANIUM	AMS 4911, 4928, 4965, OR 4967	NONE	

THREAD T DATA AND DIMENSIONS

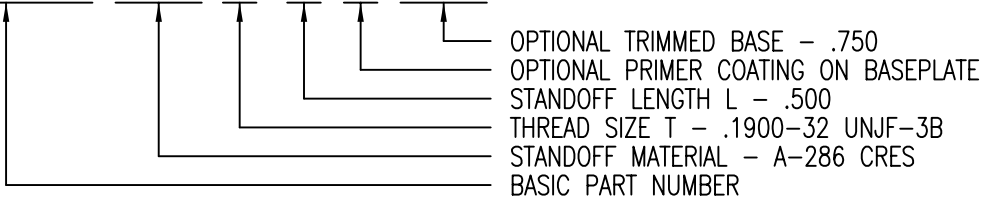
CODE	THREAD SIZE	B DIA
06	.1380-32 UNJC-3B	.28
08	.1640-32 UNJC-3B	.31
3	.1900-32 UNJF-3B	.31

OPTIONAL PRIMER

CODE	BASEPLATE PRIMER	SPEC.
P	EPOXY PRIMER	MIL-P-85582

EXAMPLE PART NUMBER

CB3004 CRA 3-8 P 750



OPTIONAL TRIMMED BASE - .750
 OPTIONAL PRIMER COATING ON BASEPLATE
 STANDOFF LENGTH L - .500
 THREAD SIZE T - .1900-32 UNJF-3B
 STANDOFF MATERIAL - A-286 CRES
 BASIC PART NUMBER

UNLESS OTHERWISE SPECIFIED, ALL DIMENSIONS ARE
 IN INCHES AND TOLERANCES ARE AS SHOWN BELOW.
 DIMENSIONAL TOLERANCES AND SYMBOLS PER ANSI
 Y14.5M-1982.

PROPRIETARY PARTS SHOWN IN THIS DRAWING ARE THE SUBJECT
 OF ISSUED UNITED STATES AND FOREIGN PATENTS AND PATENTS
 PENDING.
 UNAUTHORIZED REPRODUCTION AND/OR DISTRIBUTION OF THIS
 DRAWING IS SPECIFICALLY PROHIBITED.

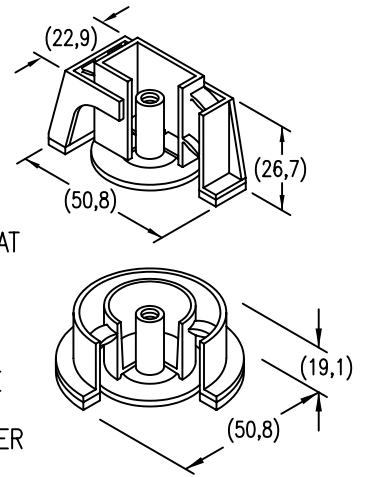
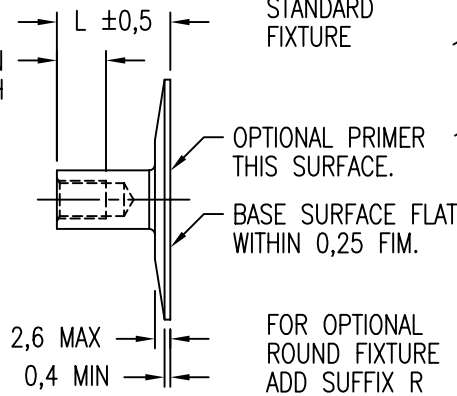
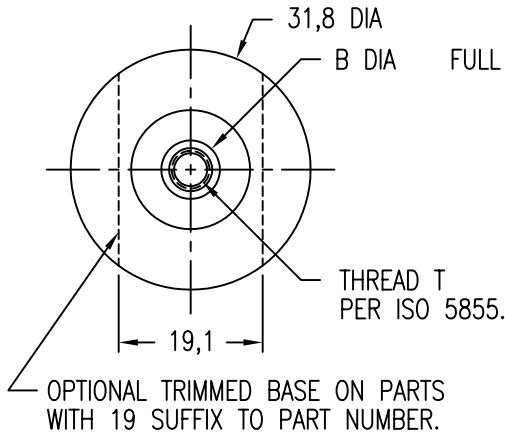
GLICK BOND

CARSON CITY
 NEVADA 89706

CAD CB3004-1		APPROVALS		DATE	TITLE			
ANGLES	±1°	DRAWN	DAC	24SEP99	STANDOFF, THREADED, ADHESIVE BONDED			
.XX	±.03	CHECKED	DAC	24SEP99	SIZE	CAGE CODE	DWG. NO.	REV.
.XXX	±.010	RELEASED	CGH	30CT99	A	66530	CB3004	16
.XXXX	±.001	REVISED	DAC	24SEP99	SCALE	1/1	24SEP99	SHEET 1 OF 2

STANDOFF STRAIGHT WITHIN 0,004 MM PER MM OF LENGTH.
 PITCH DIAMETER CONCENTRIC WITH BASE O.D. WITHIN 0,5 MM FIM.
 PITCH DIAMETER PERPENDICULAR TO BASE WITHIN ±1 DEG.

DISPOSABLE PRESSURE SENSITIVE ADHESIVE
 FIXTURE HOLDS STANDOFF WHILE ADHESIVE CURES.



LENGTH L DATA (LENGTH L IN MILLIMETERS)

CODE	10M	12M	15M	20M	25M	30M	35M
L	10	12	15	20	25	30	35
D MIN	5,0		6,5	9,5			

STANDOFF MATERIAL AND FINISH DATA

CODE	STANDOFF MATERIAL	SPEC.	FINISH	SPEC.
A	2024 OR 6061	QQ-A-200, QQ-A-225, OR QQ-A-250	NONE	
AA	ALUMINUM		ANODIZE	MIL-A-8625
CR	302, 303, 304 CRES OR A-286 CRES	AMS 5513, 5516, 5636, 5637, 5638, 5639, 5640, 5641, OR 5647 AMS 5525, 5726, 5731, 5732, 5734, OR 5737 (CHEMISTRY ONLY)	PASSIVATE	QQ-P-35
CRA	A-286 CRES	AMS 5525, 5726, 5731, 5732, 5734, OR 5737 (CHEMISTRY ONLY)	PASSIVATE	QQ-P-35
T	6AL-4V TITANIUM	AMS 4911, 4928, 4965, OR 4967	NONE	

THREAD T DATA AND DIMENSIONS

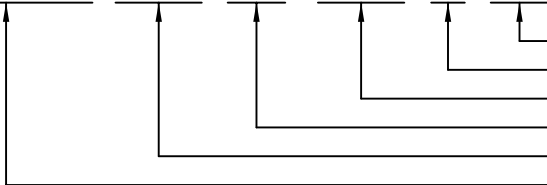
CODE	THREAD SIZE	B DIA
3M	MJ3 X 0,5 4H6H	7,1
4M	MJ4 X 0,7 4H6H	7,9
5M	MJ5 X 0,8 4H6H	7,9

OPTIONAL PRIMER

CODE	BASEPLATE PRIMER	SPEC.
P	EPOXY PRIMER	MIL-P-85582

EXAMPLE PART NUMBER

CB3004 CRA 5M 15M P 19



OPTIONAL TRIMMED BASE - 19,1 MM
 OPTIONAL PRIMER COATING ON BASEPLATE
 STANDOFF LENGTH L - 15 MM
 THREAD SIZE T - MJ5 X 0,8 4H6H
 STANDOFF MATERIAL - A-286 CRES
 BASIC PART NUMBER

UNLESS OTHERWISE SPECIFIED, ALL DIMENSIONS ARE IN MILLIMETERS AND TOLERANCES ARE AS SHOWN BELOW. DIMENSIONAL TOLERANCES AND SYMBOLS PER ANSI Y14.5M-1982.

PROPRIETARY PARTS SHOWN IN THIS DRAWING ARE THE SUBJECT OF ISSUED UNITED STATES AND FOREIGN PATENTS AND PATENTS PENDING. UNAUTHORIZED REPRODUCTION AND/OR DISTRIBUTION OF THIS DRAWING IS SPECIFICALLY PROHIBITED.

GLICK BOND

CARSON CITY
 NEVADA 89706

CAD CB3004-2 METRIC DIMENSIONS	
ANGLES	±1°
.X	±0,8
.XX	±0,25

APPROVALS	DATE
DRAWN DAC	24SEP99
CHECKED DAC	24SEP99
RELEASED CGH	30OCT99
REVISED DAC	24SEP99

TITLE STANDOFF, THREADED, ADHESIVE BONDED			
SIZE A	CAGE CODE 66530	DWG. NO. CB3004 (METRIC)	REV. 16
SCALE 1/1	24SEP99		SHEET 2 OF 2