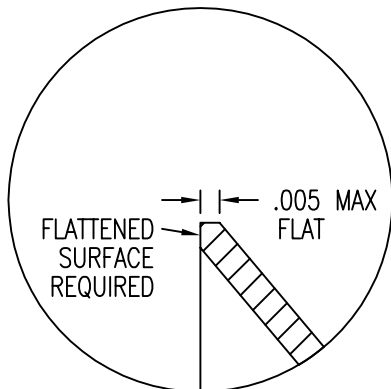
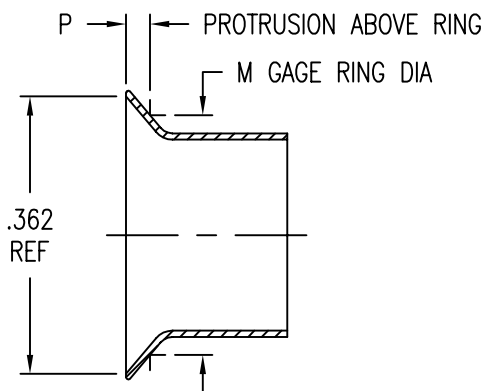


EDGE DETAIL 1



EDGE DETAIL 2



DIMENSION DATA

PART NUMBER	DI DIA	DO DIA	M	P	L MAX ±.010
JK1004 () 08 N () ()	.2495 .2480	.2656 .2646	.3125 .3123	.0331 .0291	1.000

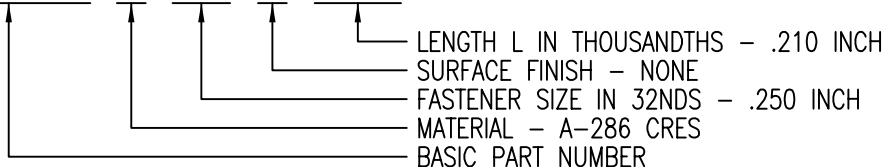
MATERIAL DATA

CODE	MATERIAL	SPEC.	CONDITION	FINISH	SPEC.
C	A-286 CRES	AMS 5525	AS FORMED	PASSIVATE	QQ-P-35
D	A-286 CRES	AMS 5525	ANNEALED	PASSIVATE	QQ-P-35

NOTE: CUSTOMER PART NUMBER ABS0557.

EXAMPLE PART NUMBER

JK1004 C 08 N 210



UNLESS OTHERWISE SPECIFIED, ALL DIMENSIONS ARE IN INCHES AND TOLERANCES ARE AS SHOWN BELOW. DIMENSIONAL TOLERANCES AND SYMBOLS PER ANSI Y14.5M-1982.

PROPRIETARY PARTS SHOWN IN THIS DRAWING ARE THE SUBJECT OF ISSUED UNITED STATES AND FOREIGN PATENTS AND PATENTS PENDING. UNAUTHORIZED REPRODUCTION AND/OR DISTRIBUTION OF THIS DRAWING IS SPECIFICALLY PROHIBITED.

GLICK BOND

CARSON CITY
NEVADA 89706

SPECIAL
FOR ABS0551
STUD

APPROVALS	DATE
DRAWN DAC	29AUG01
CHECKED DAC	29AUG01
RELEASED CGH	30AUG01
REVISED DAC	29AUG01

TITLE			
SLEEVE, NON-GROOVED, SPECIAL			
SIZE	CAGE CODE	DWG. NO.	REV.
A	66530	JK1004	E
SCALE	4/1	29AUG01	SHEET 1 OF 1