

NUT AND RETAINER MATERIAL AND FINISH DATA

CODE	NUT MATERIAL	SPEC.	DRI-FILM LUBE	RETAINER MATERIAL	SPEC.	PASSIVATE
CR	A-286 CRES	AMS 5525	MIL-PRF-46010	A-286, 304, 305 CRES	AMS 5525, 5639, 5514	AMS-QQ-P-35

THREAD T DATA AND RECOMMENDED SCREW TIGHTENING TORQUE

CODE	THREAD SIZE	SPEC.	INSTALLATION TORQUE
08	.1640-32 UNJC-3B	AS8879	15-20 IN-LBS
3	.1900-32 UNJF-3B		25-35 IN-LBS
4M	MJ4 X 0,7 4H6H	ISO5855	15-20 IN-LBS
5M	MJ5 X 0,8 4H6H		25-35 IN-LBS

BASEPLATE MATERIAL

CODE	MATERIAL
C	CARBON/EPOXY, 350°F CURE
E	GLASS/EPOXY, 350°F CURE
G	GLASS/EPOXY, 250°F CURE

LENGTH L DATA

CODE	L ±.030
8	.500
12	.750
16	1.000
24	1.500

RADIAL FLOAT OF NUT .030 MIN FROM CENTER. SCREW CAN ENGAGE MAX MISALIGNED NUT. THREAD LOCK BY ELLIPTICAL DEFORMATION.

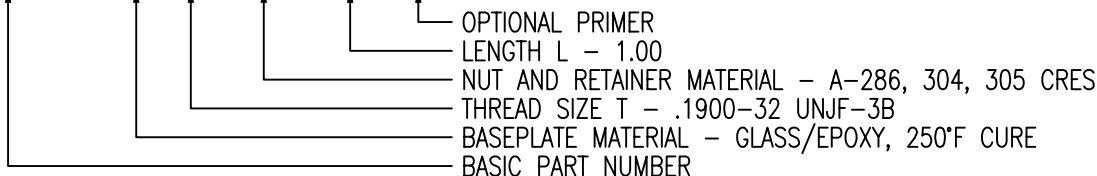
STRENGTH REQUIREMENT: WILL WITHSTAND A 40 LB LOAD APPLIED IN ANY DIRECTION AND 45 IN-LB TORQUE.

OPTIONAL BASEPLATE PRIMER

CODE	PRIMER	SPEC.
P	EPOXY PRIMER	MIL-PRF-85582

EXAMPLE PART NUMBER

CB4023 G 3 CR 16 P



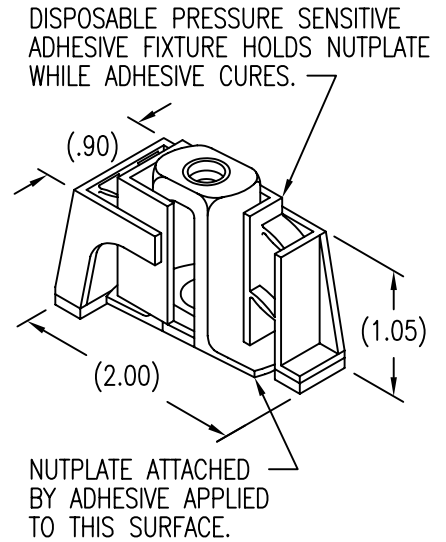
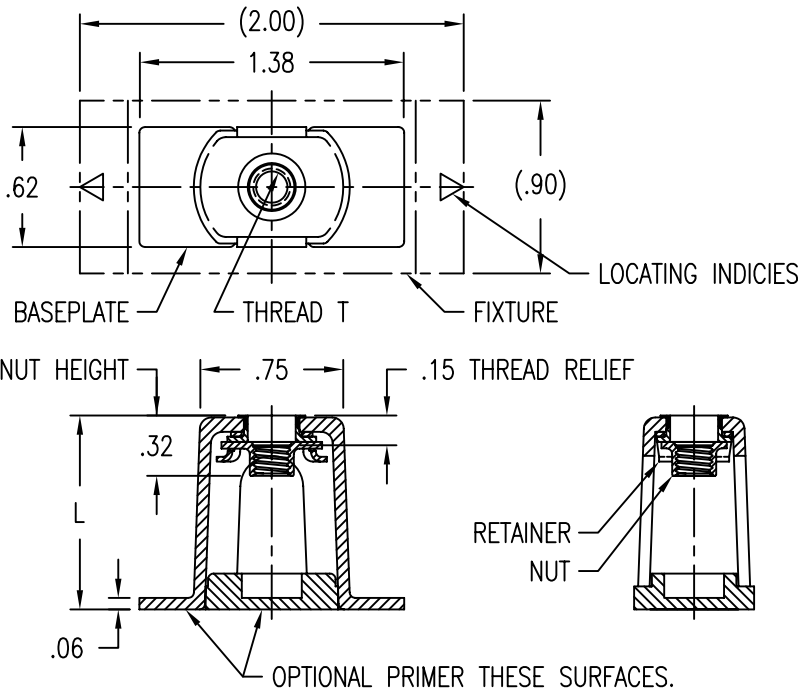
UNLESS OTHERWISE SPECIFIED, ALL DIMENSIONS ARE IN INCHES AND TOLERANCES ARE AS SHOWN BELOW. DIMENSIONAL TOLERANCES AND SYMBOLS PER ANSI Y14.5M-1982.

PROPRIETARY PARTS SHOWN IN THIS DRAWING ARE THE SUBJECT OF ISSUED UNITED STATES AND FOREIGN PATENTS AND PATENTS PENDING. UNAUTHORIZED REPRODUCTION AND/OR DISTRIBUTION OF THIS DRAWING IS SPECIFICALLY PROHIBITED.

GLICK BOND

CARSON CITY
NEVADA 89706

APPROVALS		DATE	TITLE			
ANGLES	±1°	DRAWN <i>DAC</i>	NUTPLATE, STANDOFF, COMPOSITE			
.XX	±.03	CHECKED <i>DAC/mtm</i>	SIZE	CAGE CODE	DWG. NO.	REV.
.XXX	±.010	RELEASED <i>CGH</i>	A	66530	CB4023	11
.XXXX	±.001	REVISED <i>DAC</i>	SCALE	1/1 16DEC04		SHEET 1 OF 2



NUT AND RETAINER MATERIAL AND FINISH DATA

CODE	NUT MATERIAL	SPEC.	DRI-FILM LUBE	RETAINER MATERIAL	SPEC.	PASSIVATE
CR	A-286 CRES	AMS 5525	MIL-PRF-46010	A-286, 304, 305 CRES	AMS 5525, 5639, 5514	AMS-QQ-P-35

BASEPLATE MATERIAL

CODE	MATERIAL
U	GLASS/PEI, 30% GLASS
UC	CARBON/PEI, 30% CARBON
V	GLASS/PEI, 40% GLASS
VC	CARBON/PEI, 40% CARBON
W	GLASS/PEI, 30% GLASS, LOW HEAT RELEASE
WC	CARBON/PEI, 30% CARBON, LOW HEAT RELEASE

THREAD T DATA AND RECOMMENDED SCREW TIGHTENING TORQUE

CODE	THREAD SIZE	SPEC.	INSTALLATION TORQUE
08	.1640-32 UNJC-3B	AS8879	15-20 IN-LBS
3	.1900-32 UNJF-3B		25-35 IN-LBS
4M	MJ4 X 0,7 4H6H	ISO5855	15-20 IN-LBS
5M	MJ5 X 0,8 4H6H		25-35 IN-LBS

OPTIONAL BASEPLATE PRIMER

CODE	PRIMER	SPEC.
P	EPOXY PRIMER	MIL-PRF-85582

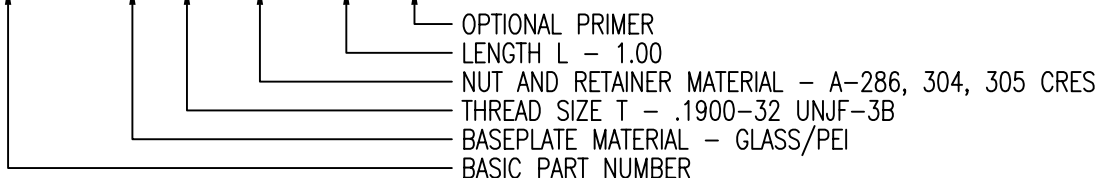
RADIAL FLOAT OF NUT .030 MIN FROM CENTER.
 SCREW CAN ENGAGE MAX MISALIGNED NUT.
 THREAD LOCK BY ELLIPTICAL DEFORMATION.
 STRENGTH REQUIREMENT: WILL WITHSTAND
 A 50 LB LOAD APPLIED IN ANY DIRECTION.

LENGTH L DATA

CODE	L ±.030
8	.500
12	.750
16	1.000
24	1.500
32	2.000

EXAMPLE PART NUMBER

CB4023 V 3 CR 16 P



UNLESS OTHERWISE SPECIFIED, ALL DIMENSIONS ARE IN INCHES AND TOLERANCES ARE AS SHOWN BELOW. DIMENSIONAL TOLERANCES AND SYMBOLS PER ANSI Y14.5M-1982.

PROPRIETARY PARTS SHOWN IN THIS DRAWING ARE THE SUBJECT OF ISSUED UNITED STATES AND FOREIGN PATENTS AND PATENTS PENDING. UNAUTHORIZED REPRODUCTION AND/OR DISTRIBUTION OF THIS DRAWING IS SPECIFICALLY PROHIBITED.

GLICK BOND

CARSON CITY
NEVADA 89706

CAD CB4023-2		APPROVALS	DATE
ANGLES	±1°	DRAWN DAC	16DEC04
.XX	±.03	CHECKED <i>[Signature]</i>	16DEC04
.XXX	±.010	RELEASED CGH	2JAN05
.XXXX	±.001	REVISED DAC	16DEC04

TITLE			
NUTPLATE, STANDOFF, COMPOSITE			
SIZE	CAGE CODE	DWG. NO.	REV.
A	66530	CB4023	11
SCALE	1/1 16DEC04		SHEET 2 OF 2